

03030001

DWG. No. D

Opponent connector (No belongings)

- Motor connector (AMP)
- Cap : 172159-1
- Socket : 170362-1 or 170366-1
- Brake connector (AMP)
- Cap : 172157-1
- Socket : 170362-1 or 170366-1
- Detector connector (AMP)
- Cap : 172161-1 (9 wires)
- Socket : 170361-1 (15 wires) or 170365-1

Motor unit

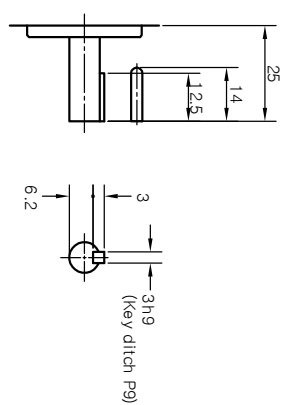
P/N No.	Signal
1	U
2	V
3	W
4	G

- Motor connector (AMP)
- Plug : 172167-1
- Pin : 170360-1
- Caution
- Max. rated current is 7 A/ph

Brake unit

P/N No.	Signal
1	Brake
2	Brake

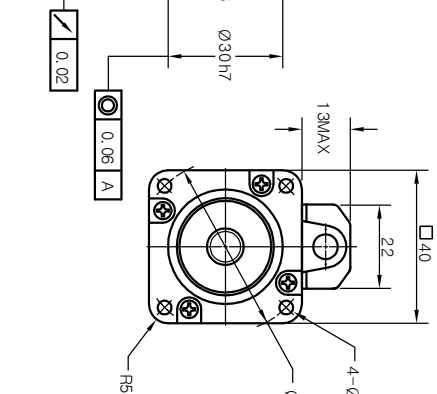
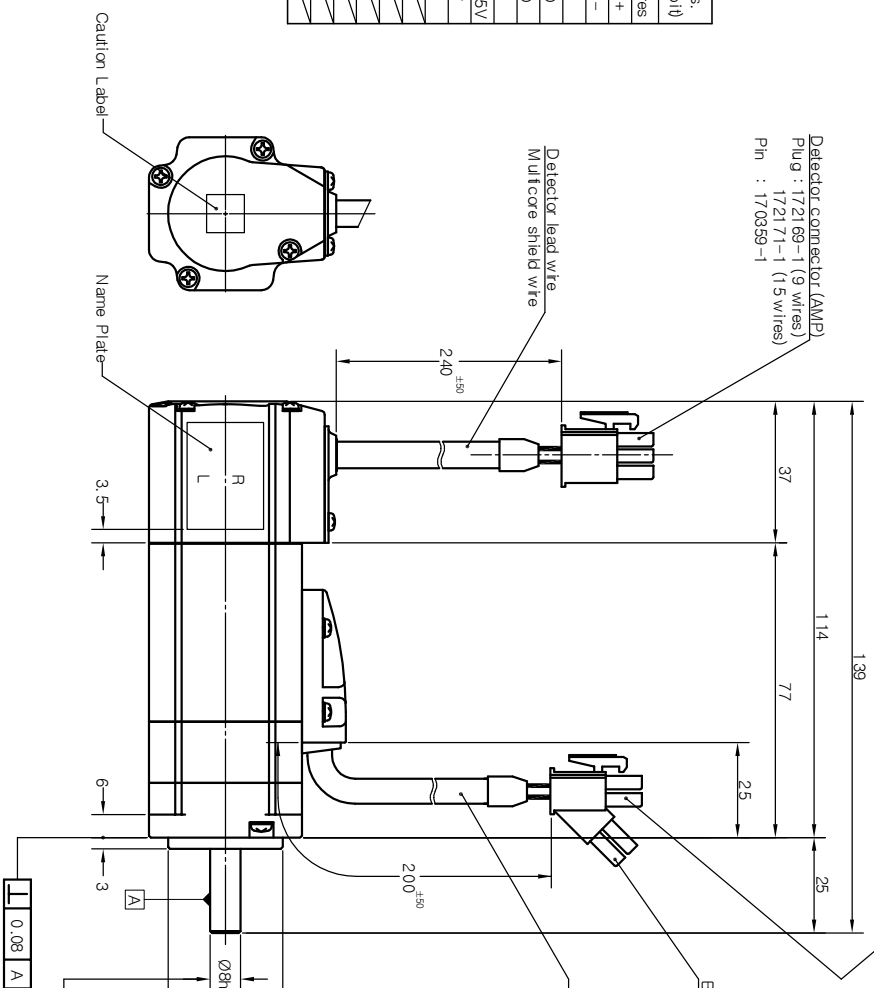
- Brake connector (AMP)
- Plug : 172165-1
- Pin : 170360-1



With key

Rotary encoder unit

Pin No.	Inc.	Abs. (17 bit)
9 Wires	15 Wires	9 Wires
1	A	BAT+
2	A	BAT-
3	B	FG
4	B	SD
5	Z	Z
6	Z	Z
7	DC +5V	DC +5V
8	GND	U
9	FG	V
10	V	V
11	W	W
12	W	W
13	DC +5V	DC +5V
14	GND	GND
15	FG	FG



ORIGINAL		ALTERNATIVE MATERIAL		ITEM		PART NAME	
TOLERANCE LINEAR ±0.5		ANGLE		2002.12.16		3rd Angle System	
MATERIAL		HEAT TREATMENT		Approved		CHO SEUNG UK	
FINISH		DRAWING DIVISION		Checked		Drawn	
NEXT ASSY		USED ON		Designed		Kwon tm Young	
SC KANZ-40000		FINISH		ISSUING DIVISION		Mechanical Design Team	
				SCALE 1/1 UNIT mm		DWG SIZE	
						DWG No. 10000303	
						SHEET 1 OF 1	

PART LISTS

KOMOTEK CO., LTD.

OUTLINE DRAWING

(KANZ-A5000B D)

AMENDMENT

NO.	DESCRIPTION	MODIFIER	APPROVALS	DATE