

23300001

No. G.W.D

AMENDMENT

SIGNI	DESCRIPTION	MODIFIER	APPROVALS	DATE

Opponent connector(No belongings)

Motor connector (AMP)
 - Cap : 172159-1
 - Socket : 170362-1
 or 170366-1

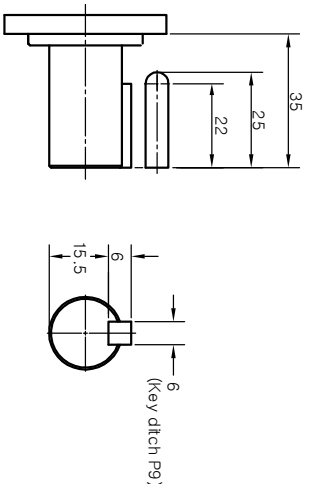
Detector connector (AMP)
 - Cap : 172161-1 (9 wires)
 - Socket : 172163-1 (15 wires)
 or 170361-1
 or 170365-1

Motor unit

PIN No	Signal
1	U
2	V
3	W
4	G

Detector connector (AMP)
 Plug : 172169-1 (9 wires)
 172171-1 (15 wires)
 Pin : 170359-1

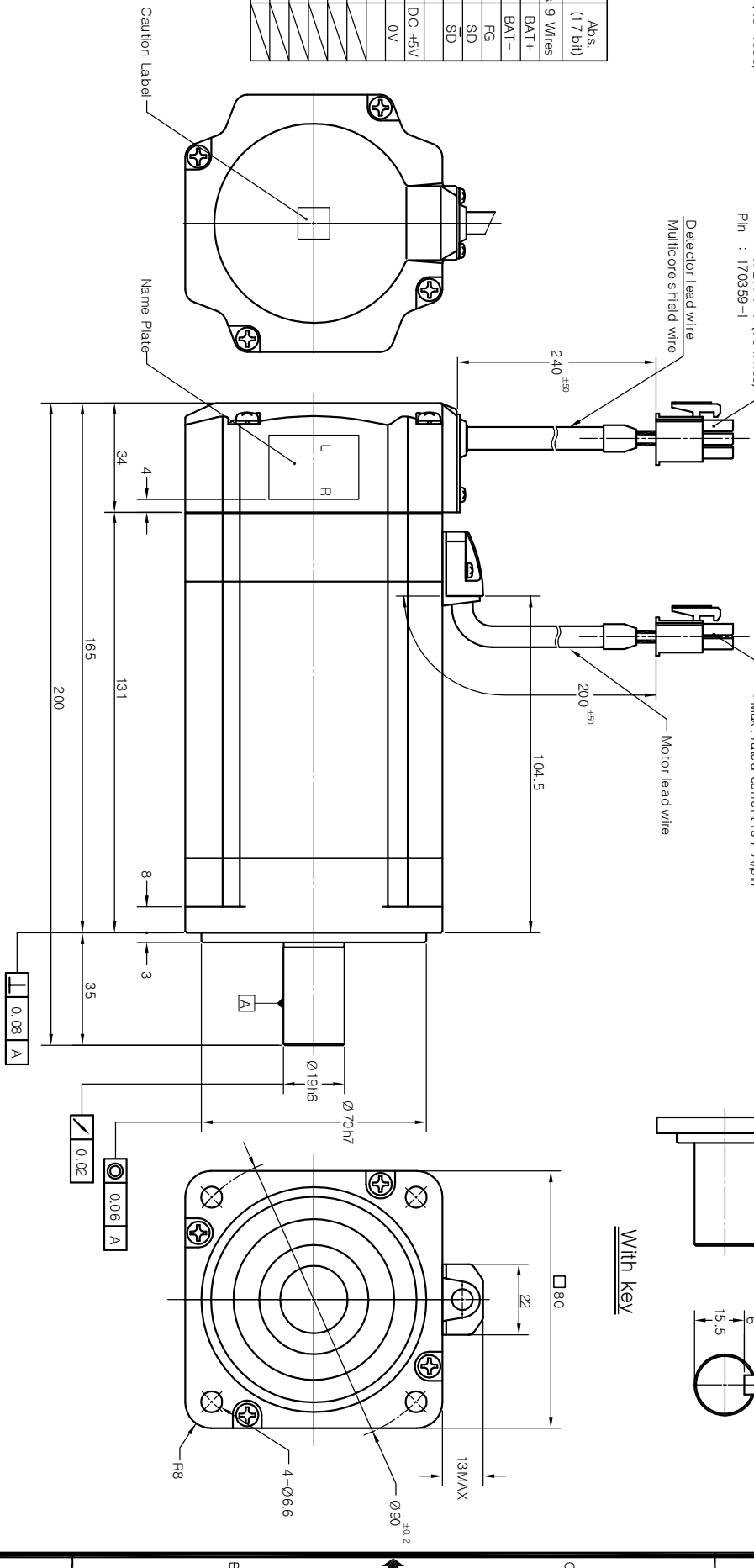
Motor connector (AMP)
 Plug : 172167-1
 Pin : 170360-1
 Caution
 (Max. rated current is 7 A/ph)



With key

Rotary encoder unit

PIN No	Inc.	Abs. (17 bit)
1	A	A
2	A	BAT+
3	B	B
4	B	B
5	Z	Z
6	Z	Z
7	DC +5V	DC +5V
8	GND	U
9	FG	V
10		V
11		W
12		W
13		DC +5V
14		GND
15		FG



1 2 3 4 5 6

ORIGINAL

ALTERATIVE MATERIAL

TOLERANCE LINEAR ±0.5 ANGLE

MATERIAL HEAT TREATMENT FINISH

2002.12.16

3rd Angle System

Approved Cho Sang Uk

Checked

Drawn Kwon mi Young

DESIGNED DIVISION ISSUING DIVISION Mechanical Design Team

SCALE 1/1 UNIT mm

PART NAME KOMOTEK CO., LTD.

PART NAME OUTLINE DRAWING (KAN-Z-100000ND)

DWG SIZE DWG No. 10000322

A2

SHEET 1 OF 1

ITEM PART NAME QTY PART No. DWG No.