

E32300001

REV. G.W.C

Motor unit

PIN No.	Signal
1	U
2	V
3	W
4	G

Brake unit

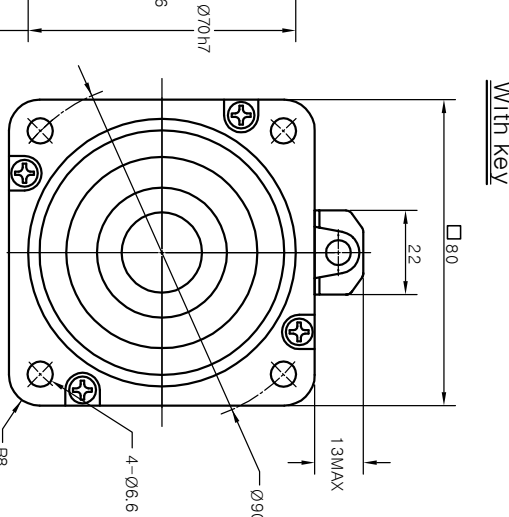
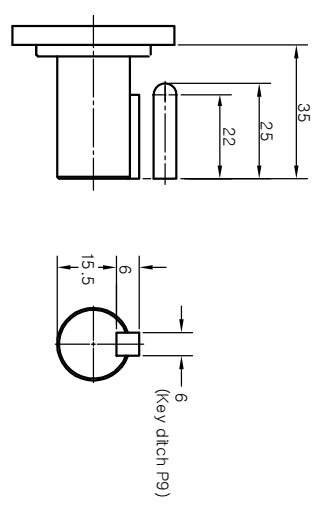
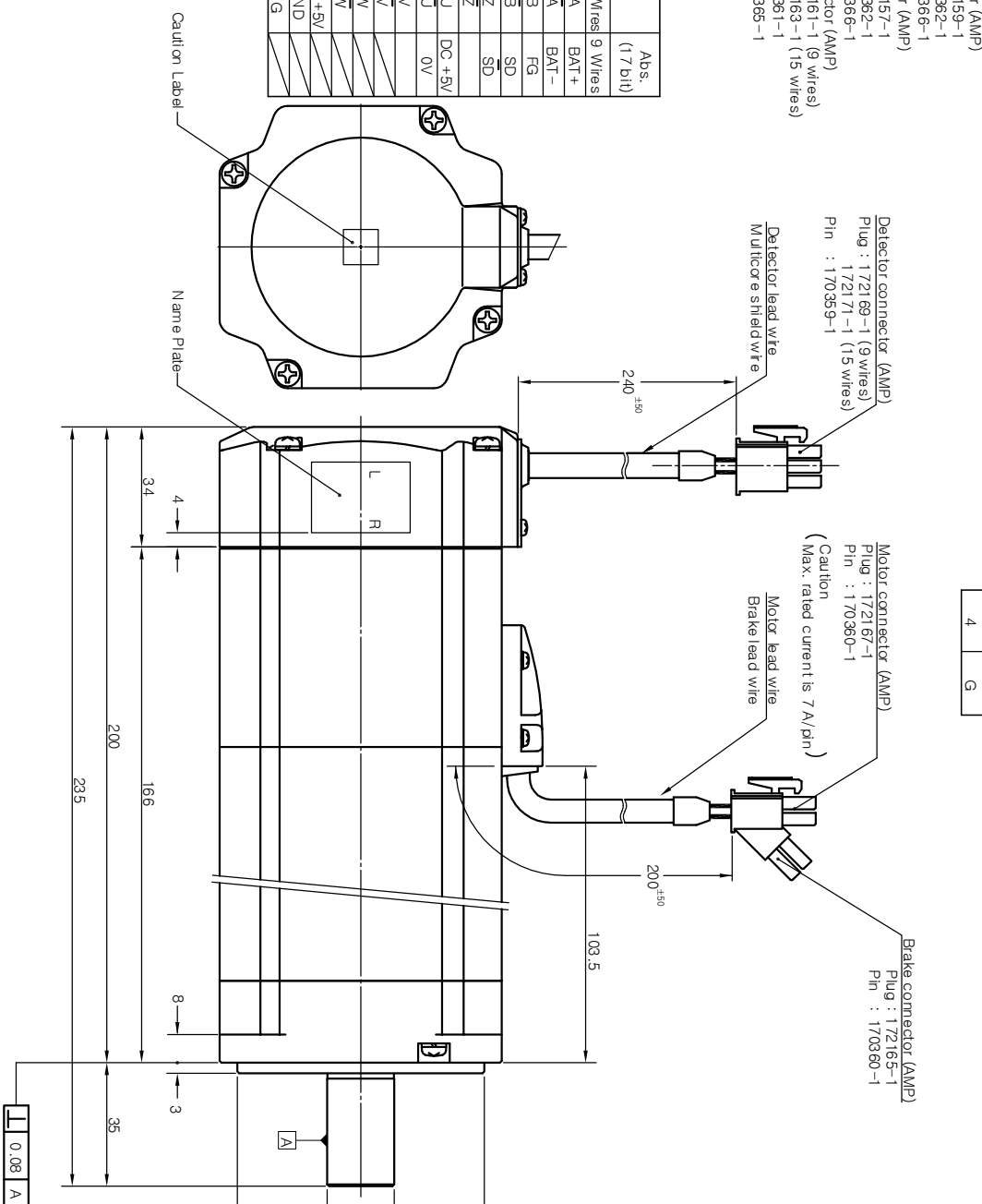
PIN No.	Signal
1	Brake
2	Brake

Opponent connector (No belongings)

- Motor connector (AMP)
 - Cap : 172159-1
 - Socket : 170362-1
 or 170366-1
- Brake connector (AMP)
 - Cap : 172157-1
 - Socket : 170362-1
 or 170366-1
- Detector connector (AMP)
 - Cap : 172161-1 (9 wires)
 172163-1 (15 wires)
 - Socket : 170361-1
 or 170365-1

Rotary encoder unit

PIN No	Inc.	Abs. (17 bit)
1	A	BAT+
2	A	BAT-
3	B	FG
4	B	SD
5	Z	SD
6	Z	SD
7	DC+5V	DC+5V
8	GND	0V
9	FG	V
10	V	V
11	W	W
12	W	W
13	DC+5V	DC+5V
14	GND	GND
15	FG	FG



ORIGINAL	ALTERNATIVE MATERIAL	ITEM	PART NAME	QTY	PART No.	DWG.No.
TOLERANCE LINEAR ±0.5	ANGLE	2002.12.16				
MATERIAL	HEAT TREATMENT	3rd Angle System				
FINISH		Approved Chosang UK				
		Drawn Kwon miyoung				
		Designed ISSUING DIVISION Mechanical Design Team				
		SCALE 1/1 UNIT:mm				
		DWG SIZE A2				
		DWG No. 10000323				
		SHEET 1 OF 1				

PART LISTS

KOMOTEK CO., LTD.

OUTLINE DRAWING

(KANZ-10000323)