

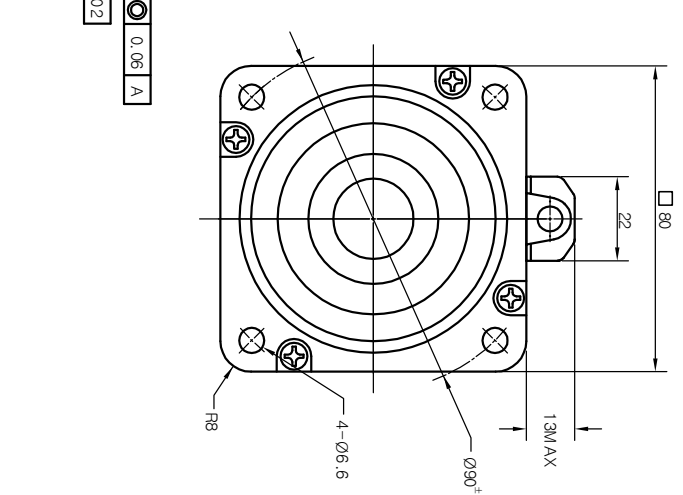
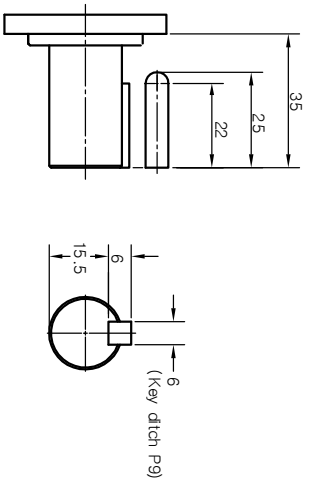
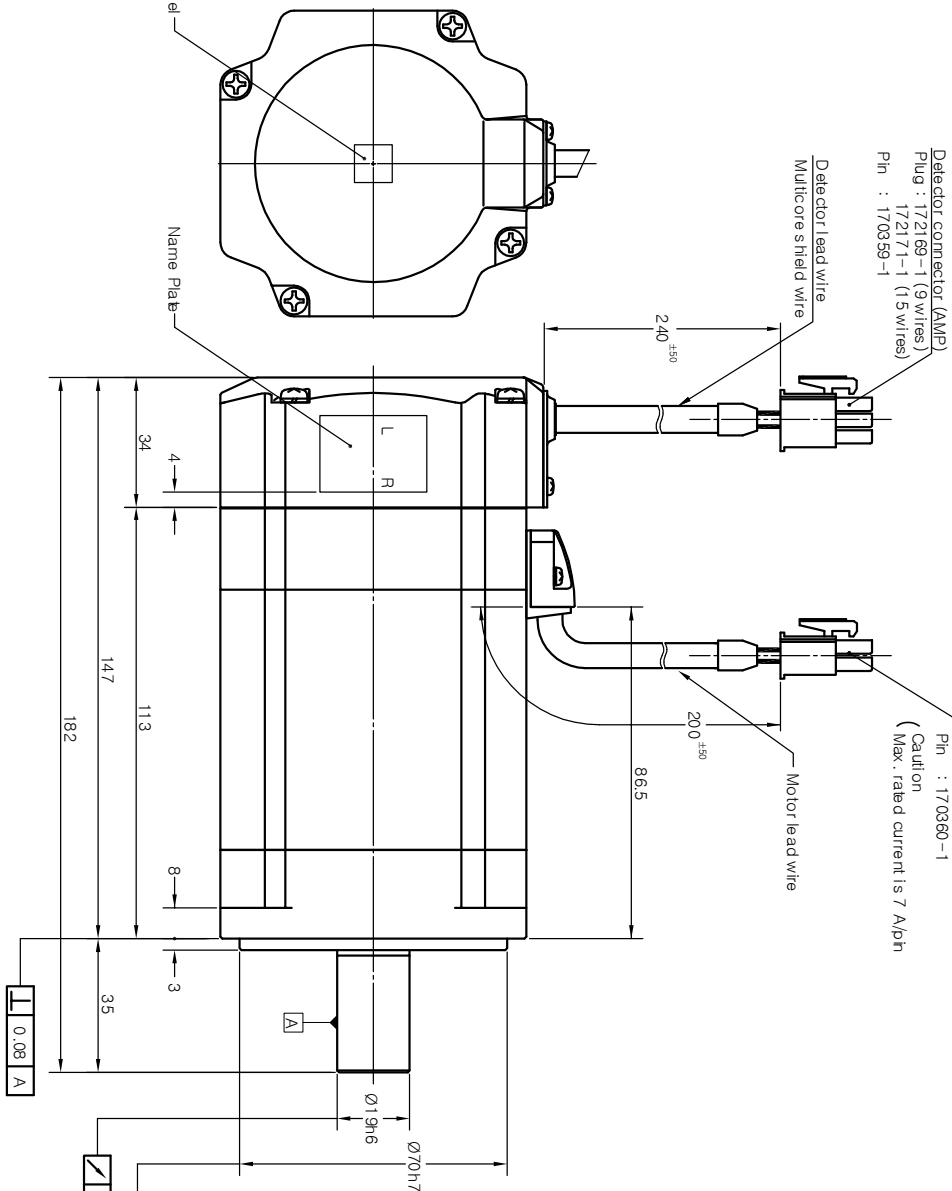
Opponent connector (No belonging)

- Motor connector (AMP)
  - Cap : 172159-1
  - Socket : 170362-1 or 170366-1
- Detector connector (AMP)
  - Cap : 172161-1 (9 wires)
  - Socket : 170361-1 (15 wires) or 170365-1

Motor unit	
PIN No	Signal
1	U
2	V
3	W
4	G

Rotary encoder unit

PIN No	Inc.	Abs. (17 bit)
1	A	A
2	A	BAT+
3	B	B
4	B	B
5	Z	Z
6	Z	Z
7	DC +5V	U
8	GND	U
9	FG	V
10		V
11		W
12		W
13		DC +5V
14		GND
15		FG



ORIGINAL	ALTERNATIVE MATERIAL	ITEM	PART NAME	QTY	PART No.	DWG No.
TOLERANCE LINEAR ±0.5	ANGLE	2002.12.16				
MATERIAL	HEAT TREATMENT	3rd Angle System				
		Approved Cho sand UK				
		Drawn				
		Designed Kiyomiyoung				
		ISSUING DIVISION Mechanical Design Team				
		SCALE 1/1 UNIT:mm Wt.				
NEXT ASSY	USED ON	DWG SIZE A2				
SC. WAVE-ØØØØØØ	FINISH	DWG No. 10000316				
		SHEET 1 OF 1				

PART LISTS

KOMOTEK CO., LTD.

OUTLINE DRAWING  
(KAN-Z-080000ND)

AMENDMENT

SIGNI	DESCRIPTION	MODIFIER	APPROVALS	DATE