

02300001

No. G.W.D

AMENDMENT

SIGN	DESCRIPTION	MODIFIER	APPROVALS	DATE

Opponent connector(No belongings)

Motor connector (AMP)

- Cap : 172159-1
- Socket : 170362-1
- or 170366-1

Detector connector (AMP)

- Cap : 172161-1 (9 wires)
- Socket : 170361-1 (15 wires)
- or 170365-1

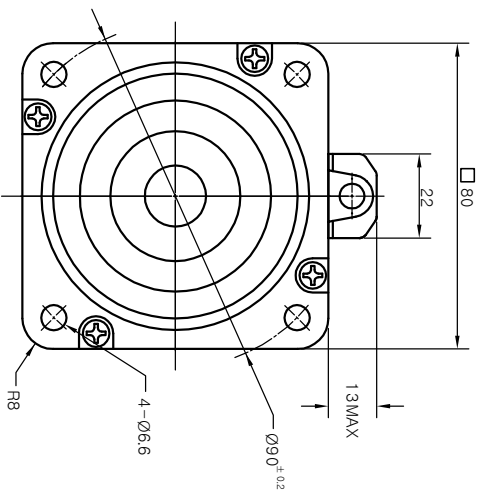
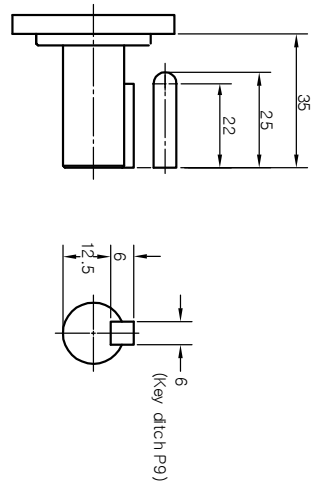
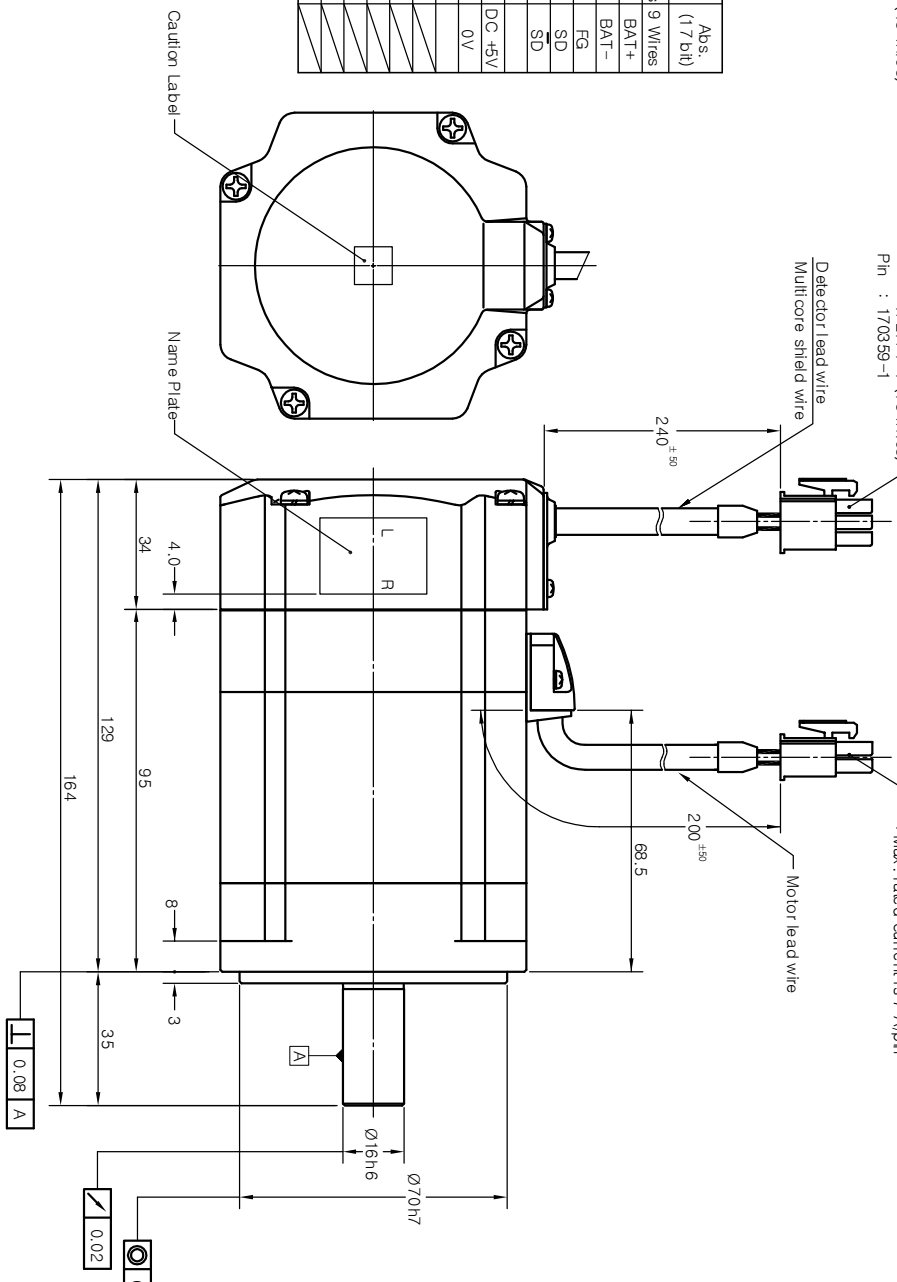
Motor unit	
PIN No	Signal
1	U
2	V
3	W
4	G

Detector connector (AMP)  
 Plug : 172169-1 (9 wires)  
 172171-1 (15 wires)  
 Pin : 170359-1

Motor connector (AMP)  
 Plug : 172167-1  
 Pin : 170360-1  
 Caution  
 (Max. rated current is 7 A/ph)

Rotary encoder unit

PIN No	Inc.	Abs. (17 bit)
1	A	A
2	A	BAT+
3	B	B
4	B	B
5	Z	Z
6	Z	Z
7	DC +5V	DC +5V
8	GND	U
9	FG	V
10	FG	V
11	W	W
12	W	W
13	DC +5V	DC +5V
14	GND	GND
15	FG	FG



A

B

C

D

1

2

3

4

5

6

ORIGINAL	ALTERNATIVE MATERIAL	ITEM	PART NAME	QTY	PART No.	DWG.No.

PART LISTS

2002. 12. 16

3rd Angle System

Approved Cho sang UK

Checked

Drawn Kwon mi young

Designed ISSUING DIVISION Mechanical Design Team

SCALE 1/1 UNIT:mm W.T.

OUTLINE DRAWING

DWG SIZE (KANZ-060000ND)

DWG No. 10000320

A2

SHEET 1 OF 1

A

B

C

D