

12300001

04/GW/D

Motor unit

PIN No.	Signal
1	U
2	V
3	W
4	G

Brake unit

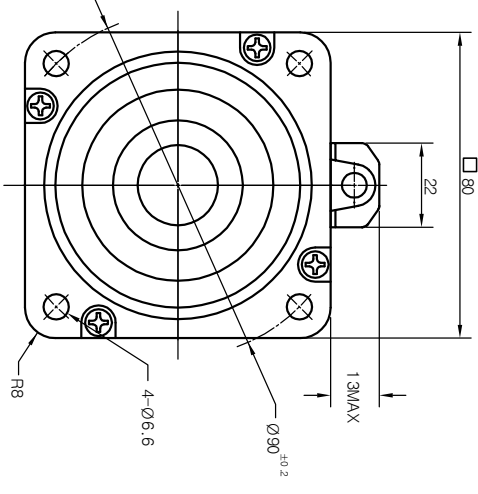
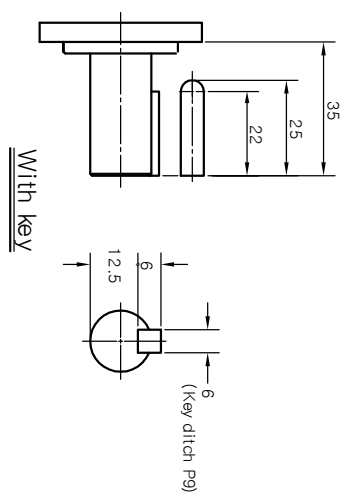
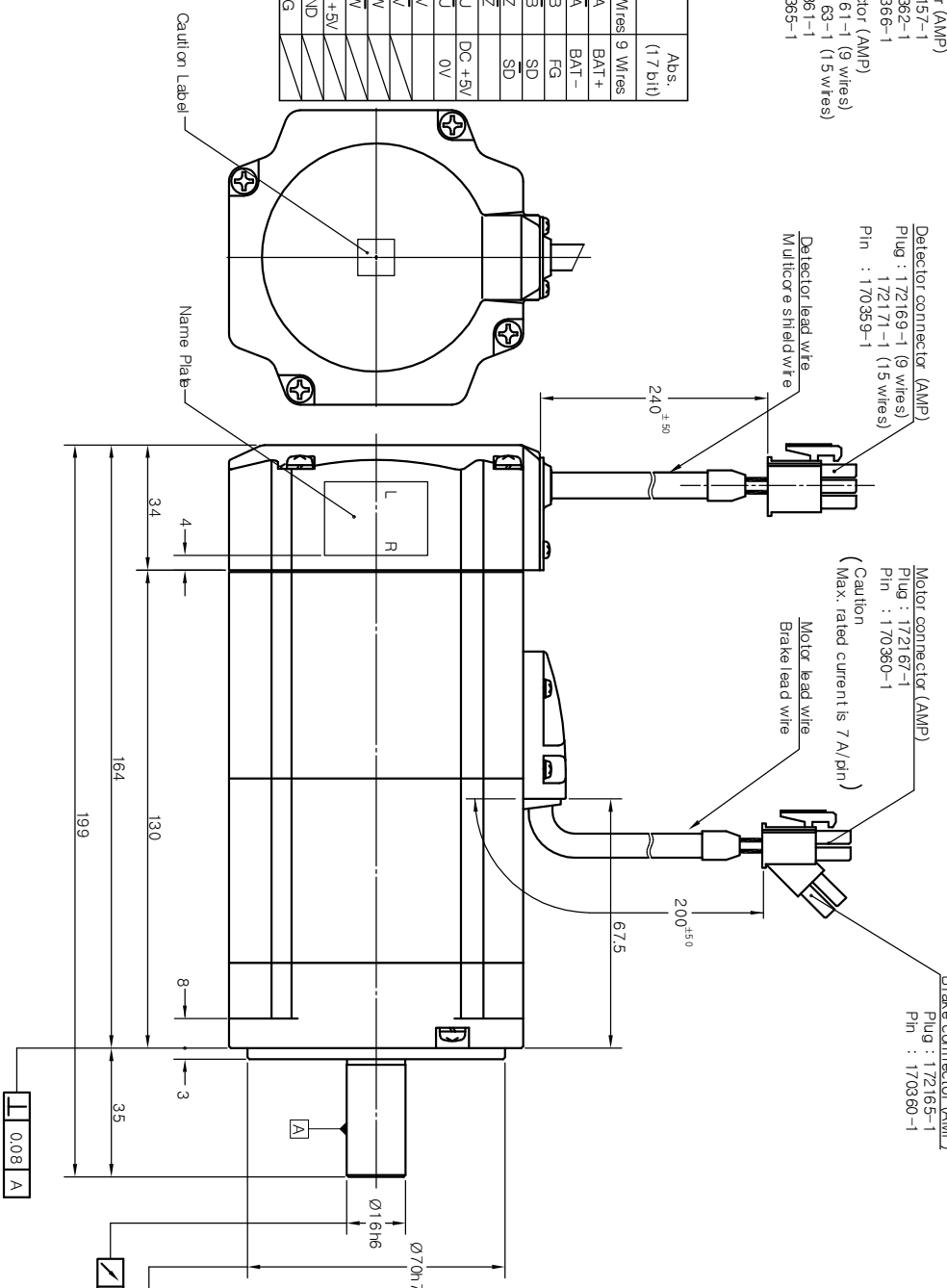
PIN No.	Signal
1	Brake
2	Brake

Opponent connector (No belongings)

- Motor connector (AMP)
  - Cap : 172159-1
  - Socket : 170362-1 or 170366-1
- Brake connector (AMP)
  - Cap : 172157-1
  - Socket : 170362-1 or 170366-1
- Detector connector (AMP)
  - Cap : 172161-1 (9 wires)
  - Socket : 170361-1 (15 wires) or 170365-1

Rotary encoder unit

PIN No	Inc.	Abs. (17 bit)
1	A	BAT+
2	A	BAT-
3	B	FG
4	B	SD
5	Z	Z
6	Z	Z
7	DC +5V	DC +5V
8	GND	0V
9	FG	V
10	W	V
11	W	W
12	W	W
13	DC +5V	DC +5V
14	GND	GND
15	FG	FG



ORIGINAL		ALTERNATIVE MATERIAL		ITEM	PART NAME	QTY	PART No.	DWG No.
TOLERANCE LINEAR ±0.5		ANGLE		2002.12.16				
MATERIAL		HEAT TREATMENT		3rd Angle System				
NEXT ASSY		USED ON		Cho sang UK				
P/N		FINISH		Drawn				
SC KANZ 40000000		FINISH		Designed				
				Kwon mi young				
				ISSUING DIVISION				
				Mechanical Design Team				
				SCALE 1/1 UNIT mm				
				DWG SIZE				
				A2				
				DWG No. 10000321				
				SHEET 1 OF 1				

PART LISTS

KOMOTEK CO., LTD.

OUTLINE DRAWING