

Opponent connector(No belongings)
 Motor connector (AMP)
 - Cap : 172159-1
 - Socket : 170362-1
 or 170366-1

Detector connector (AMP)
 - Cap : 172161-1 (9 wires)
 - Plug : 172163-1 (15 wires)
 or 170365-1

Motor unit

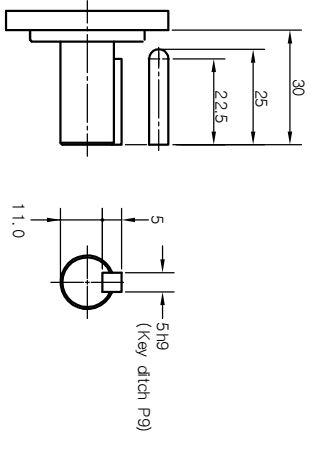
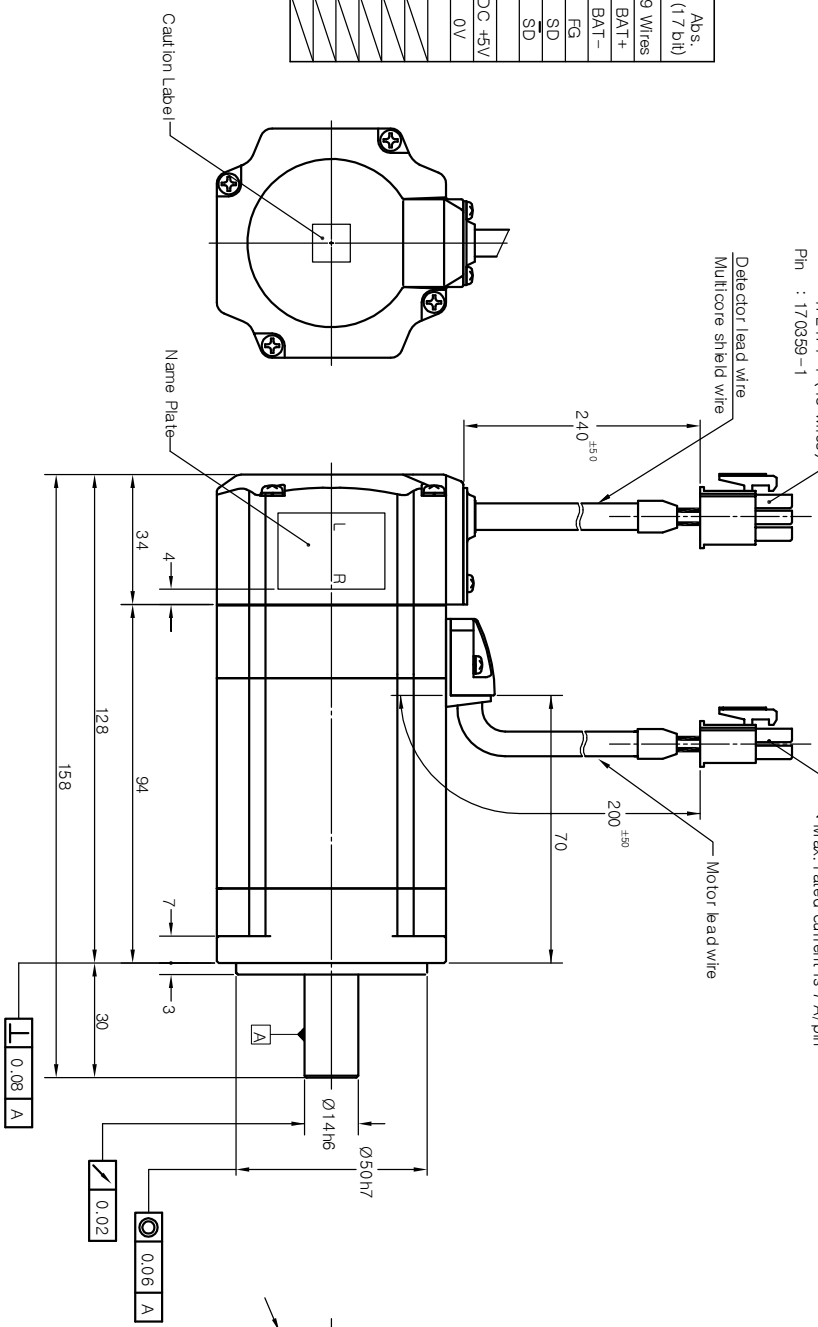
PIN No	Signal
1	U
2	V
3	W
4	G

Detector connector (AMP)
 Plug : 172169-1 (9 wires)
 172171-1 (15 wires)
 Pin : 170359-1

Motor connector (AMP)
 Plug : 172167-1
 Pin : 170360-1
 Caution
 Max. rated current is 7 A/pin

Rotary encoder unit

PIN No	Inc.	Abs. (17 bit)
1	A	A
2	A	BAT+
3	B	BAT-
4	B	B
5	Z	SD
6	Z	Z
7	DC +5V	U
8	GND	U
9	FG	V
10	V	V
11	W	W
12	W	W
13	DC +5V	U
14	GND	U
15	FG	FG



ORIGINAL	ALTERNATIVE MATERIAL	ITEM	PART NAME	QTY	PART No.	DWG.No.
TOLERANCE LINEAR ±0.5	ANGLE	2002.12.16	3rd Angle System	Approved	Ch.O.SANG UK	PART LISTS KOMOTEK CO., LTD. OUTLINE DRAWING (KANZ-040000ND) DWG SIZE DWG No. 10000310 SHEET 1 OF 1
MATERIAL	HEAT TREATMENT	Drawn	Kwon mi young	Designed	ISSUING DIVISION Mechanical Design Team	
SCALE 1/1 UNIT mm	WT.	SCALE 1/1 UNIT mm	WT.	SCALE 1/1 UNIT mm	WT.	
NEXT ASSY	USED ON	FINISH				