

11300001

No. G.W.G

AMENDMENT

SIGN	DESCRIPTION	MODIFIER	APPROVALS	DATE

Opponent connector (No belongings)

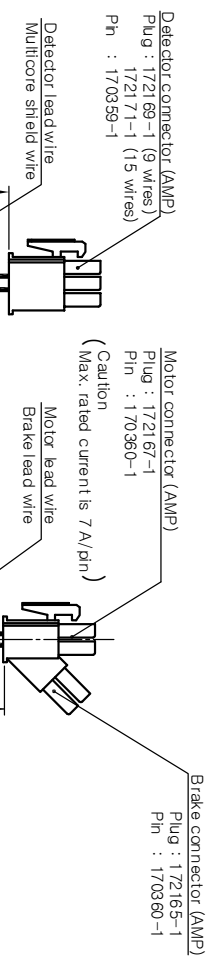
- Motor connector (AMP)
 - Cap : 172159-1
 - Socket : 170362-1
 or 170366-1
 Brake connector (AMP)
 - Cap : 172157-1
 - Socket : 170362-1
 or 170366-1
 Detector connector (AMP)
 - Cap : 172163-1 (15 wires)
 - Socket : 170361-1 (15 wires)
 or 170365-1

Motor unit

PIN No	Signal
1	U
2	V
3	W
4	G

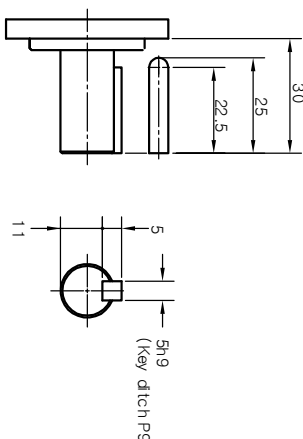
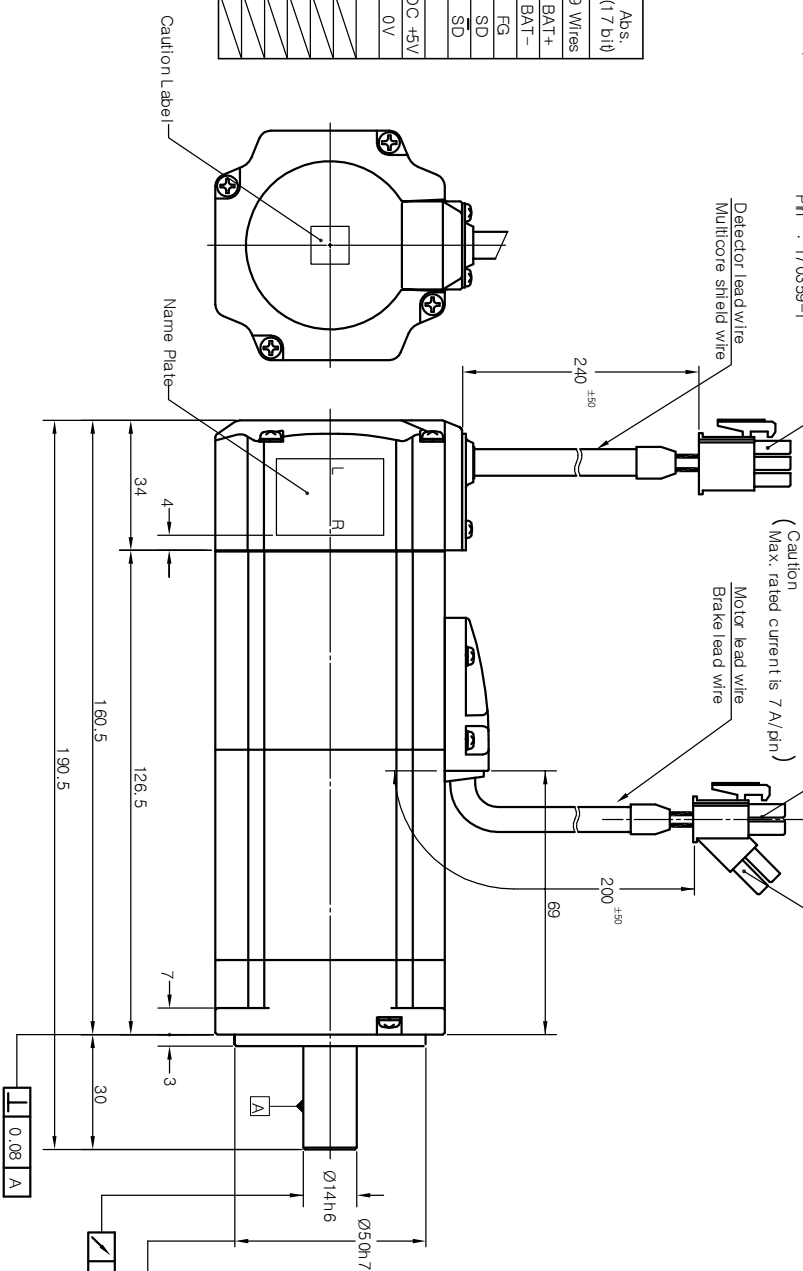
Brake unit

PIN No	Signal
1	Brake
2	Brake



Rotary encoder unit

PIN No	Inc.	Abs. (17 bit)
1	A	BAT+
2	A	BAT-
3	B	B
4	B	B
5	Z	SD
6	Z	Z
7	DC+5V	DC+5V
8	GND	U
9	FG	U
10	V	V
11	W	W
12	W	W
13	DC+5V	DC+5V
14	GND	GND
15	FG	FG



ORIGINAL	ALTERNATIVE MATERIAL	ITEM	PART NAME	QTY	PART No.	DWG.No.

TOLERANCE	LINEAR	ANGLE
±0.5		

MATERIAL	HEAT TREATMENT	FINISH

2002.12.16	3rd Angle System	Approved	Cho Sang Uk
		Checked	
		Designed	Kwon mi Young
		ISSUING DIVISION	Mechanical Design Team

DWG SIZE	DWG No.	10000311
A2	SHEET	1 OF 1

PART LISTS

KOMOTEK CO., LTD.
 OUTLINE DRAWING
 (KAN-Z-040008 D)

