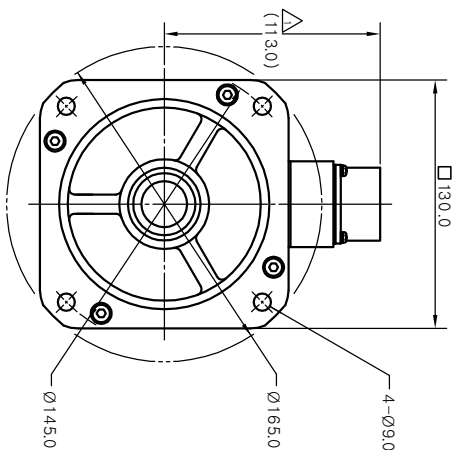
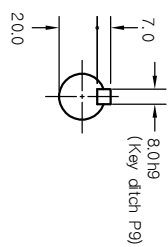
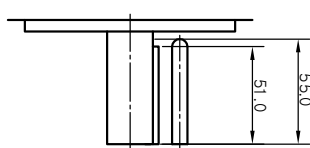
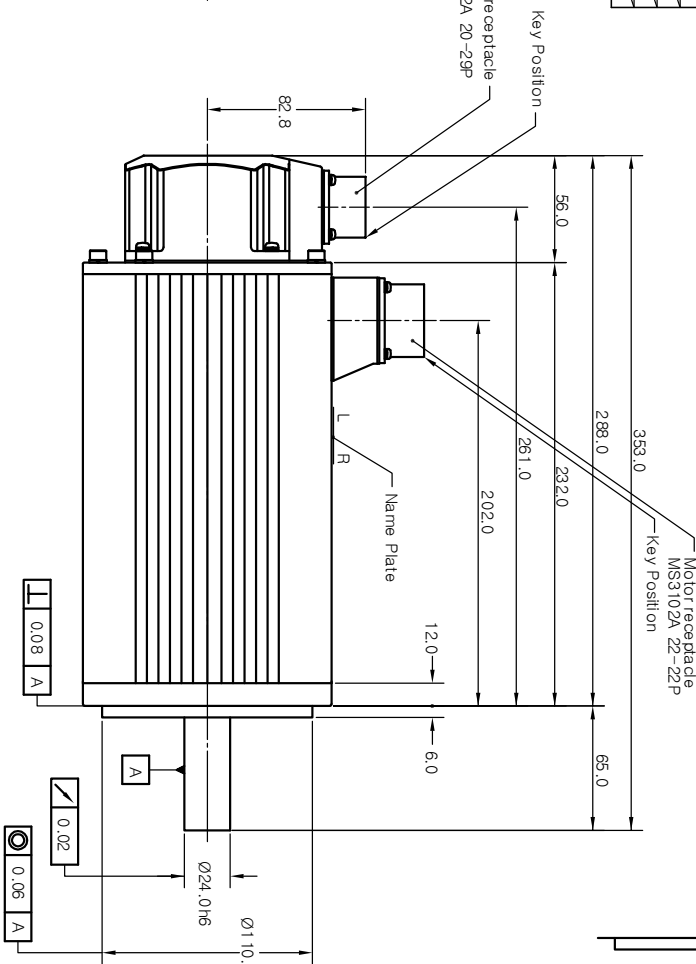
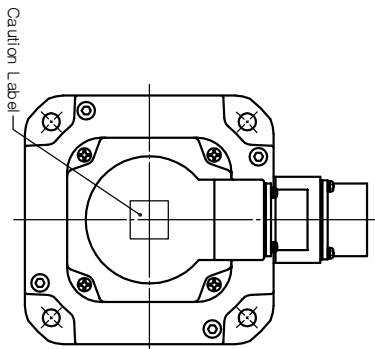


Rotary encoder unit

PIN No	Inc. (17 bit)	Abs. (11 bit)	Abs. (9 Wires)	Inc. (9 Wires)
A	A	A	A	A
B	A	A	A	A
C	B	B	B	B
D	B	B	B	B
E	Z	Z	Z	Z
F	Z	Z	Z	Z
G	0V	0V	0V	0V
H	DC+5V	DC+5V	DC+5V	DC+5V
J	FG	FG	FG	FG
K	U	SD	PX	FG
L	U	SD	RX	FG
M	V			
N	V			
P	W			
R	W			
S	W	RST	BAT-	BAT-
T		BAT+	BAT+	BAT+

Motor unit

PIN No.	Signal
A	U
B	V
C	W
D	F.G



ORIGINAL	ALTERNATIVE MATERIAL	ITEM	PART NAME	QTY	PART No.	DWG No.
TOLERANCE LINEAR	ANGLE	PART LISTS				
MATERIAL	HEAT TREATMENT	KOMOTEK CO., LTD.				
FINISH		OUTLINE DRAWING				
2003.08.21	3rd Angle System	DWG SIZE A2				
Approved	Drawn	DWG No. 10057044				
Checked	Designed	SHEET 1 OF 1				
Drawn	ISSUING DIVISION					
Designed	Mechanical Design Team					
SCALE 1/2 UNIT mm	WT.					

SIGN	DESCRIPTION	MODIFIER	APPROVALS	DATE
118.0	(113.0)	권미영		2005.03.15