

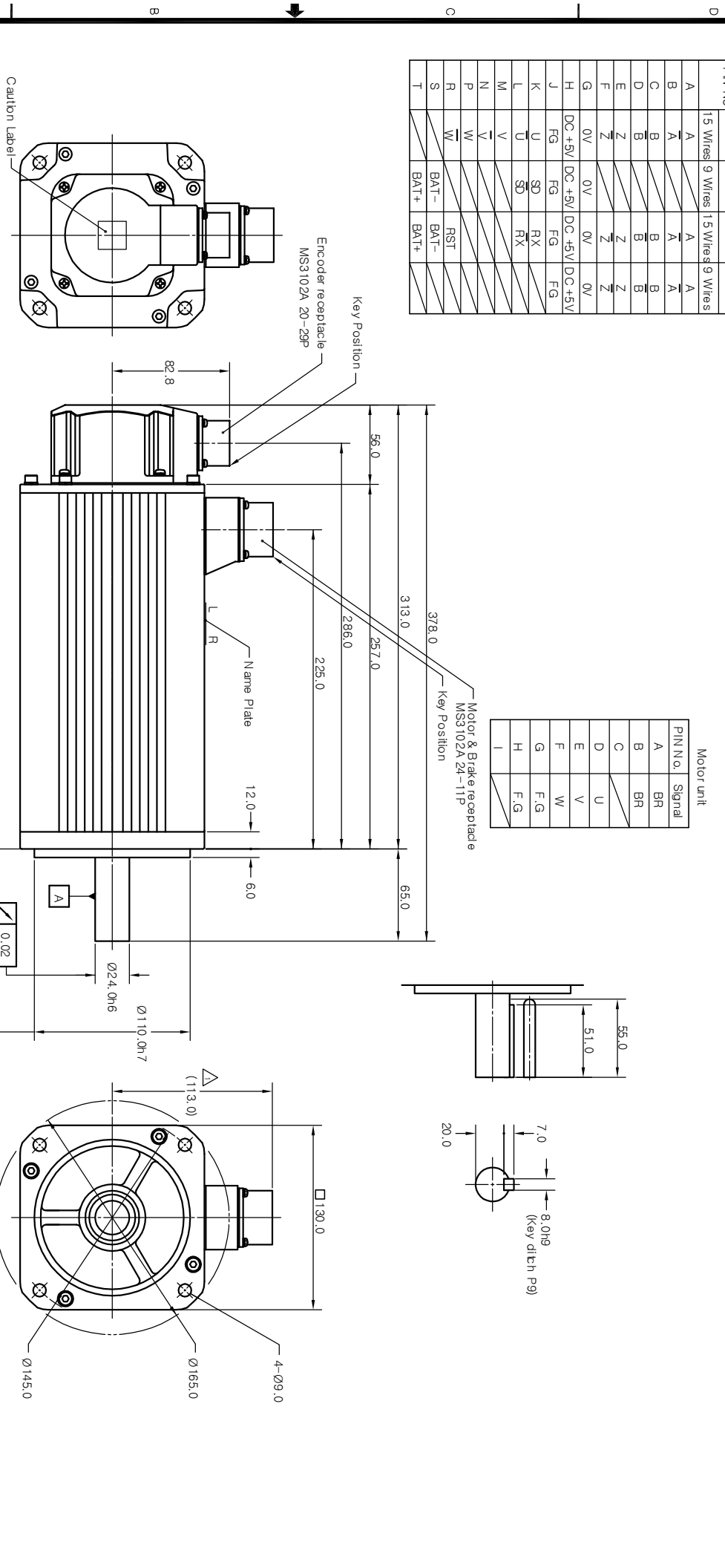
AMENDMENT		DATE
SIGN	DESCRIPTION	MODIFIER
118.0	(113.0)	권미영
		2005.03.15

Rotary encoder unit

PN No	Abs. (17 bit)		Abs. (11 bit)		Inc.
	15 Wires	9 Wires	15 Wires	9 Wires	
A	A	A	A	A	A
B	A	A	A	A	A
C	B	B	B	B	B
D	B	B	B	B	B
E	Z	Z	Z	Z	Z
F	Z	Z	Z	Z	Z
G	0V	0V	0V	0V	0V
H	DC+5V	DC+5V	DC+5V	DC+5V	DC+5V
J	FG	FG	FG	FG	FG
K	U	SD	RX	RX	RX
L	U	SD	RX	RX	RX
M	V				
N	V				
P	W		RST	RST	RST
R	W		BAT-	BAT-	BAT-
S	W		BAT-	BAT-	BAT-
T			BAT+	BAT+	BAT+

Motor unit

PN No.	Signal
A	BR
B	BR
C	U
D	U
E	V
F	W
G	F.G
H	F.G
I	F.G



ITEM	PART NAME	QTY	PART No.	DWG No.
PART LISTS				
	KOMOTEK CO., LTD.			

ALTERNATIVE MATERIAL	TOLERANCE	ANGLE
	LINEAR	

ORIGINAL	MATERIAL	HEAT TREATMENT	FINISH

APPROVED	DESIGNED	ISSUING DIVISION	DWG SIZE
3rd Angle System	KIM JUNGSAM	Mechanical Design Team	A2

SCALE	UNIT	MM	WT.
1/2			