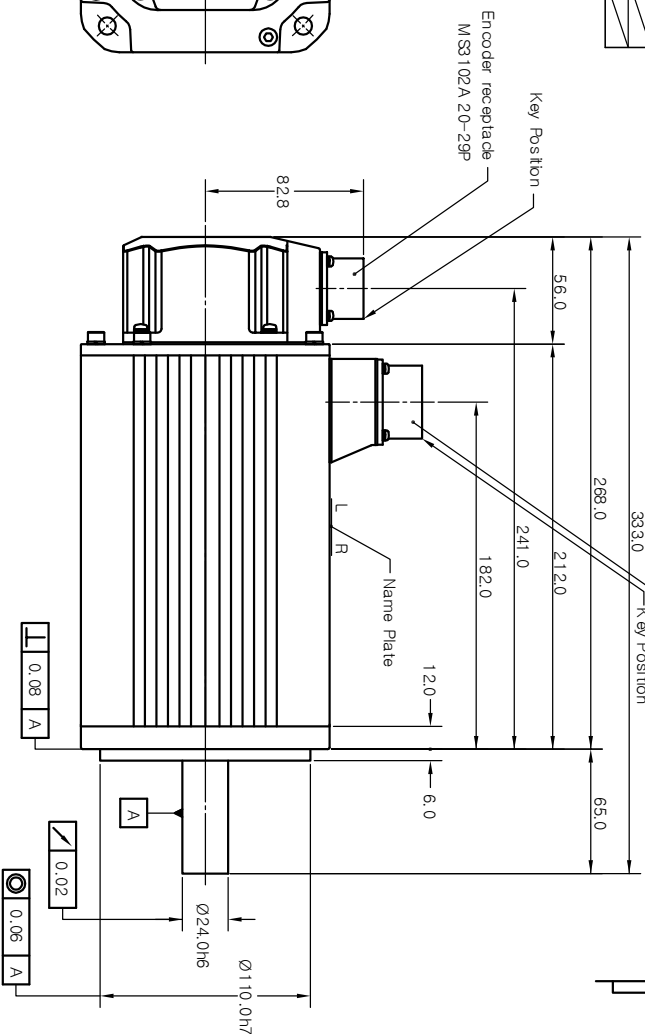
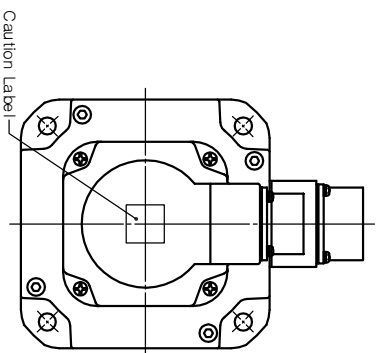


10057042

NO. G.W.D

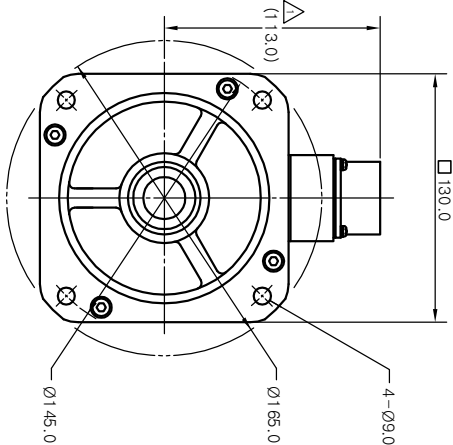
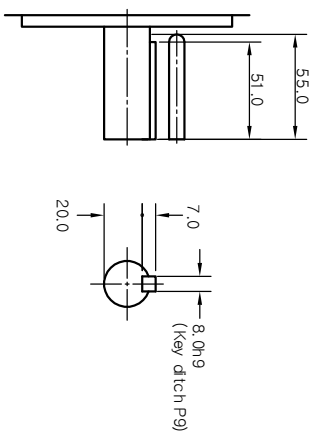
Rotary encoder unit

PLN No	Inc.	Abs. (17 bit)	Abs. (11 bit)	Inc.
	15 Wires	9 Wires	15 Wires	9 Wires
A	A	A	A	A
B	A	A	A	A
C	B	B	B	B
D	B	B	B	B
E	Z	Z	Z	Z
F	Z	Z	Z	Z
G	0V	0V	0V	0V
H	DC+5V	DC+5V	DC+5V	DC+5V
J	FG	FG	FG	FG
K	U	SD	FX	FX
L	U	SD	FX	FX
M	V			
N	V			
P	W			
R	W			
S	W	RST	BAT-	BAT-
T		BAT+	BAT+	BAT+



Motor unit

PLN No.	Signal
A	U
B	V
C	W
D	F.G



ORIGINAL	ALTERNATIVE MATERIAL	ITEM	PART NAME	QTY	PART No.	DWG No.
	TOLERANCE LINEAR ANGLE	PART LISTS				
	HEAT TREATMENT	KOMOTEK CO., LTD.				
	FINISH	OUTLINE DRAWING				
		(KANS-45B □ 1ND)				
		ISSUING DIVISION Mechanical Design Team				
		SCALE 1/2 UNIT mm				
		DWG SIZE A2				
		DWG No. 10057042				
		SHEET 1 OF 1				

SIGN	DESCRIPTION	MODIFIER	APPROVALS	DATE
△	118.0 → (113.0)	권미영		2005.03.15

