

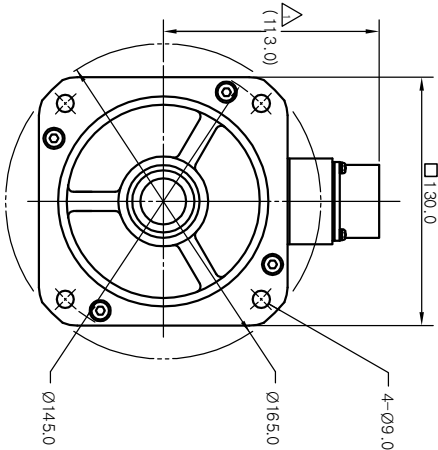
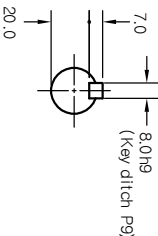
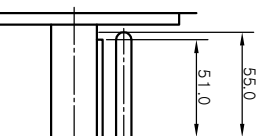
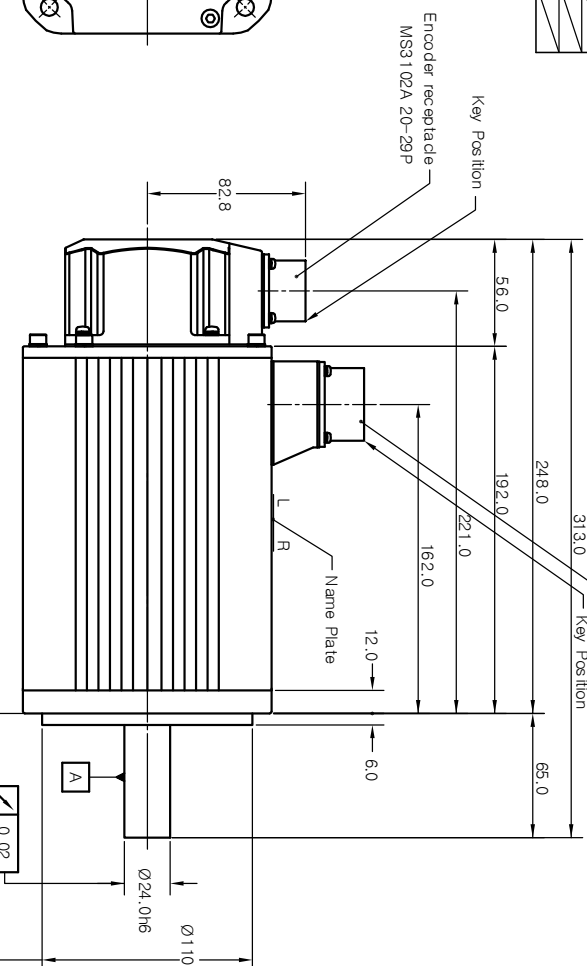
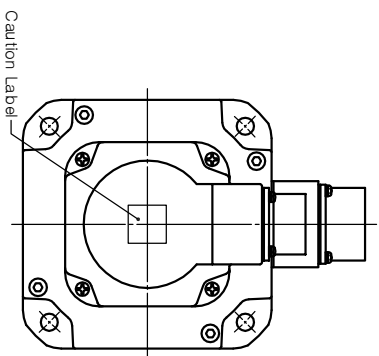
SIGN	DESCRIPTION	MODIFIER	APPROVALS	DATE
1180	(113.0)	권미영		2005.03.15

Rotary encoder unit

PIN No	Inc.	Abs.	Abs.	Inc.
	(17 bit)	(11 bit)	(11 bit)	
A	A	A	A	A
B	A	A	A	A
C	B	B	B	B
D	B	B	B	B
E	Z	Z	Z	Z
F	Z	Z	Z	Z
G	0V	0V	0V	0V
H	DC+5V	DC+5V	DC+5V	DC+5V
J	FG	FG	FG	FG
K	U	SD	FX	FX
L	U	SD	FX	FX
M	V			
N	V			
P	W			
R	W			
S	W	FST	BAT-	BAT-
T	W	BAT+	BAT+	BAT+

Motor unit

PIN No.	Signal
A	U
B	V
C	W
D	F.G



A

B

C

D

1

2

3

4

5

6

ORIGINAL

ALTERNATIVE MATERIAL

TOLERANCE LINEAR ANGLE

HEAT TREATMENT FINISH

ITEM PART NAME QTY PART NO. DWG No.

PART LISTS

KOMOTEK CO., LTD.

OUTLINE DRAWING

(KANS-40B1IND)

DWG SIZE DWG No. 10057040

SHEET 1 OF 1

A

B

C

D

1

2

3

4

5

6