

10057041

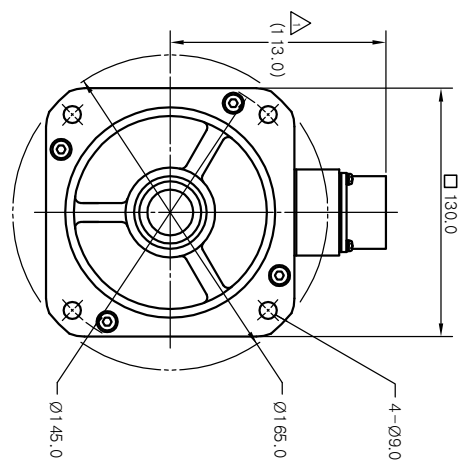
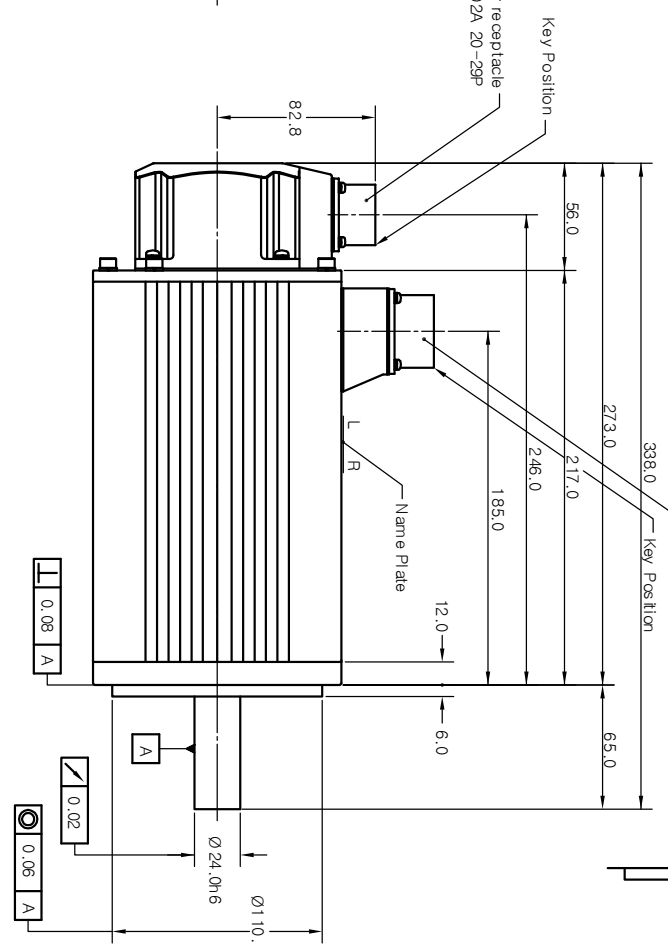
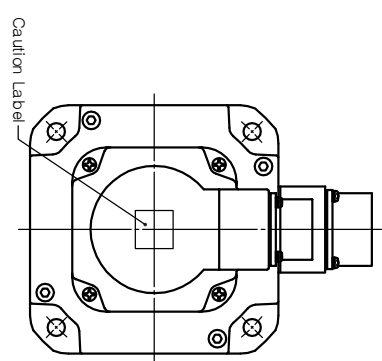
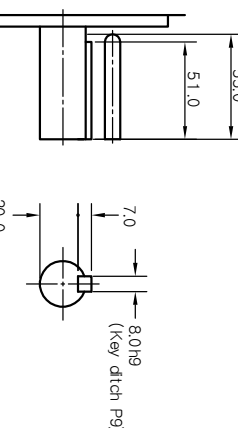
09/G.W.C

Rotary encoder unit

Pin No	Inc.	Abs. (17 bit)	Abs. (11 bit)	Inc.
A	15 Wires	9 Wires	15 Wires	9 Wires
B	A	A	A	A
C	B	B	B	B
D	B	B	B	B
E	Z	Z	Z	Z
F	Z	Z	Z	Z
G	0V	0V	0V	0V
H	DC+5V	DC+5V	DC+5V	DC+5V
J	FG	FG	FG	FG
K	U	SD	FX	FX
L	U	SD	FX	FX
M	V			
N	V			
P	W			
R	W	BAT-	BAT-	RST
S	W	BAT-	BAT-	BAT-
T		BAT+	BAT+	BAT+

Motor unit

Pin No.	Signal
A	BR
B	BR
C	U
D	V
E	W
F	W
G	FG
H	FG
I	FG



SIGN	DESCRIPTION	MODIFIER	AP PROVALS	DATE
△	118.0	→ (113.0)	권미영	2005.03.15

AMENDMENT

ITEM	PART NAME	QTY	PART No.	DWG No.
PART LISTS				
	2003.04.09			

KOMOTEK CO., LTD.

OUTLINE DRAWING

ORIGINAL	TOLERANCE	ANGLE	APPROVED	3rd Angle System	DWG SIZE	DWG No.	SHEET	OF
	LINEAR		Checked		A2	10057041	1	1
	MATERIAL		Drawn					
	HEAT TREATMENT		Designed					
			ISSUING DIVISION					
			Mechanical Design Team					
			SCALE 1/2 UNIT mm					
			WT.					
			FINISH					
			USED ON					
			SC KANS-480					
			NEXT ASSY					

