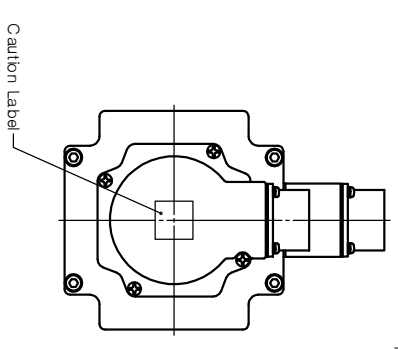


AMENDMENT			
SIGN	DESCRIPTION	MODIFIER	APPROVALS
DATE			

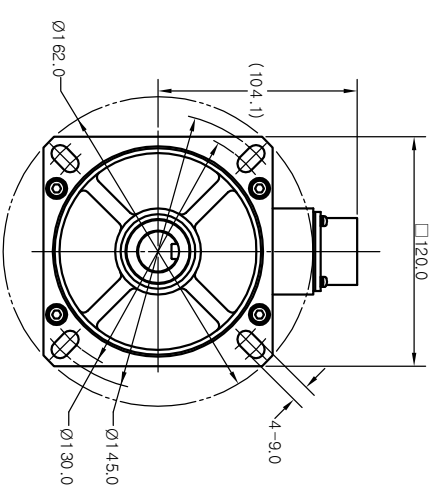
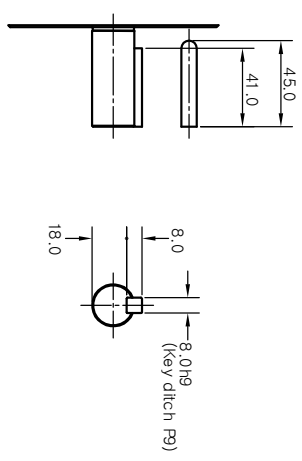
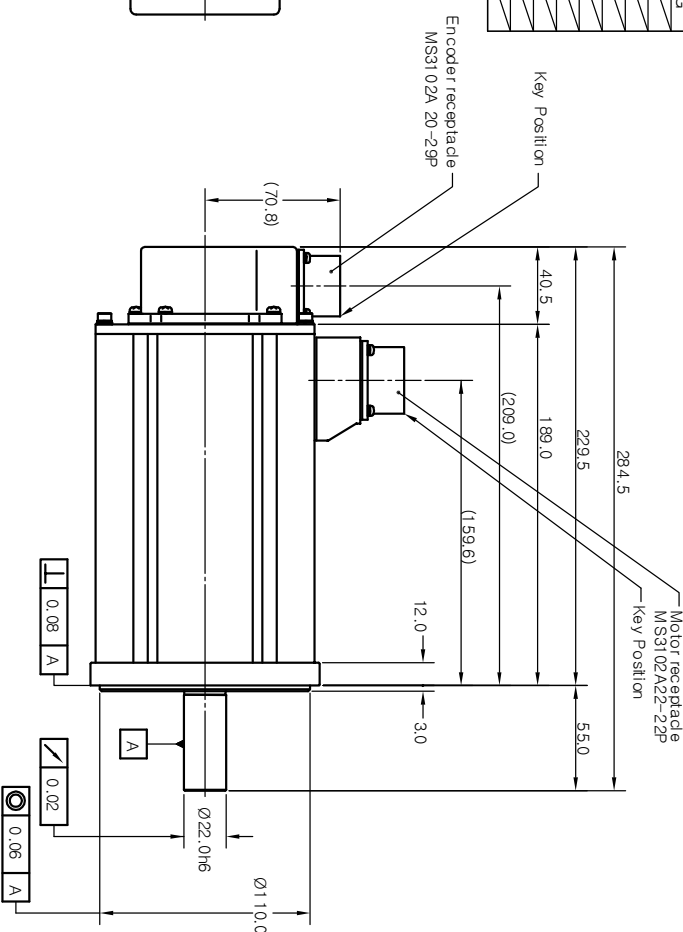
Rotary encoder unit

PIN No	Inc.	Abs. (17 bit)	Abs. (11 bit)	Inc.
A	A	A	A	A
B	A	A	A	A
C	B	B	B	B
D	B	B	B	B
E	Z	Z	Z	Z
F	Z	Z	Z	Z
G	0V	0V	0V	0V
H	DC+5V/DC+5V	DC+5V/DC+5V	DC+5V/DC+5V	DC+5V/DC+5V
J	FG	FG	FG	FG
K	U	SD	RX	FG
L	U	SD	FX	FG
M	V			
N	V			
P	W			
R	W	BAT-	RST	BAT-
S	W	BAT-	BAT-	BAT-
T		BAT+	BAT+	BAT+



Motor unit

PIN No.	Signal
A	U
B	V
C	W
D	F,G



ORIGINAL

NEXT ASSY: SC KANS-388 IN□

USED ON: FINISH

ITEM	PART NAME	QTY	PART No.	DWG No.
PART LISTS				
	KOMOTEK CO., LTD.			
	OUTLINE DRAWING			
	(KANS-388 IN□)			
DWG SIZE	A2			
DWG No.	1 0057174			
SHEET	1 OF 1			

TOLERANCE		ANGLE	
LINEAR	—	ANGLE	—
MATERIAL	—	HEAT TREATMENT	