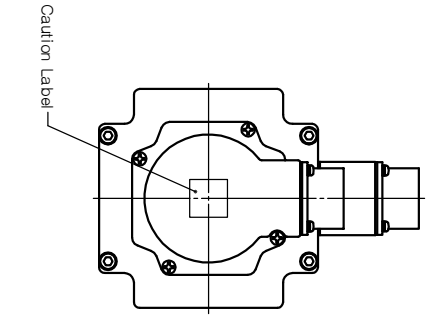


AMENDMENT

SIGN	DESCRIPTION	MODIFIER	APPROVALS	DATE

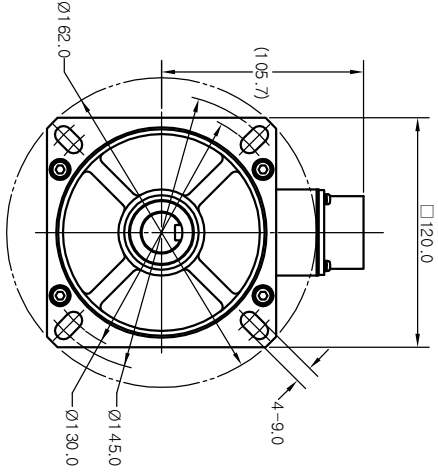
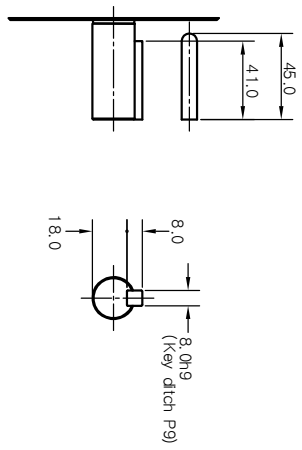
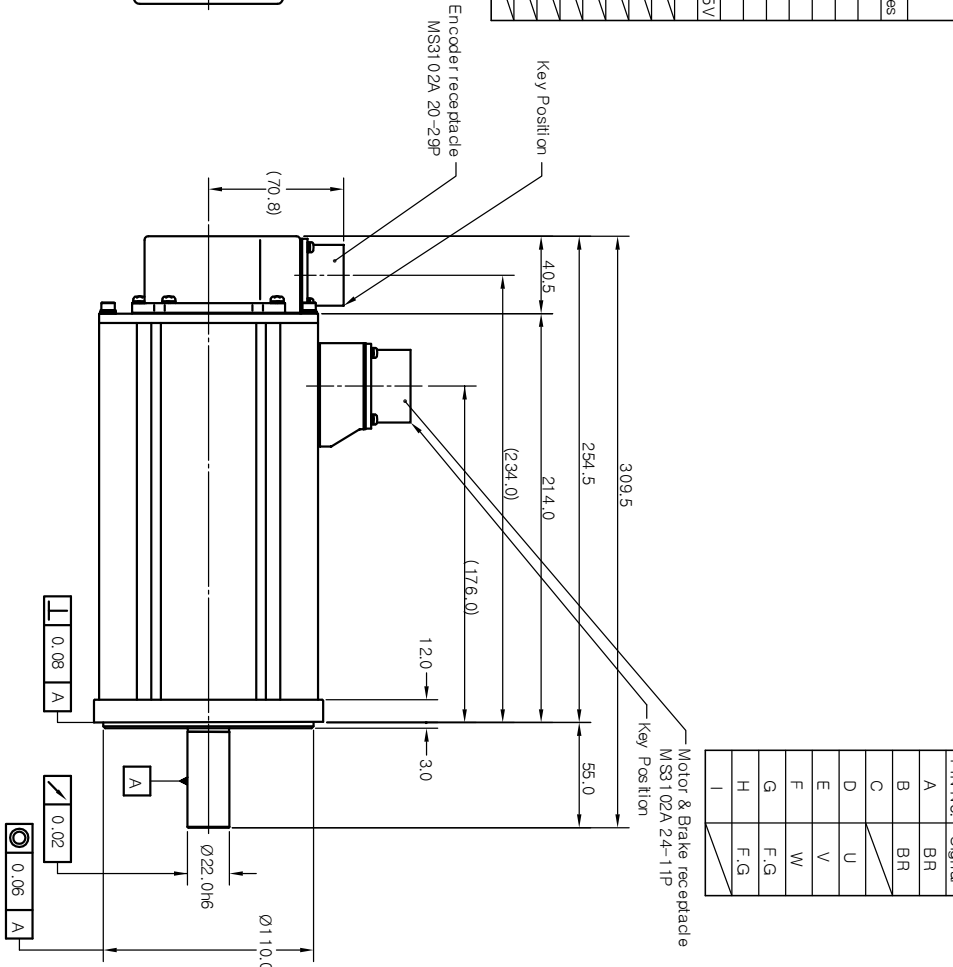
Rotary encoder unit

PIN No.	Inc.	Abs.		Inc.
		(17 bit)	(11 bit)	
15 Wires 9 Wires 15 Wires 9 Wires				
A	A	A	A	A
B	A	A	A	A
C	B	B	B	B
D	B	B	B	B
E	Z	Z	Z	Z
F	Z	Z	Z	Z
G	0V	0V	0V	0V
H	DC+5V	DC+5V	DC+5V	DC+5V
J	FG	FG	FG	FG
K	U	SD	FX	FX
L	U	SD	FX	FX
M	V			
N	V			
P	W			
R	W			
S	BAT-	BAT-	BAT-	BAT-
T	BAT+	BAT+	BAT+	BAT+



Motor unit

PIN No.	Signal
A	BR
B	BR
C	
D	U
E	V
F	W
G	F.G
H	F.G
I	



A B C D

1 2 3 4 5 6

ITEM	PART NAME	QTY	PART No.	DWG No.

ORIGINAL

ALTERATIVE MATERIAL

TOLERANCE	LINEAR	ANGLE
MATERIAL		
HEAT TREATMENT		
FINISH		

2004.05.17  
3rd Angle System

APPROVED  
Checked  
Drawn  
Designed

Kwon Mi Young  
K.m.jungsam

ISSUING DIVISION  
Mechanical Design Team

DWG SIZE  
A2

DWG No. 10057175  
SHEET 1 OF 1

A B C D