

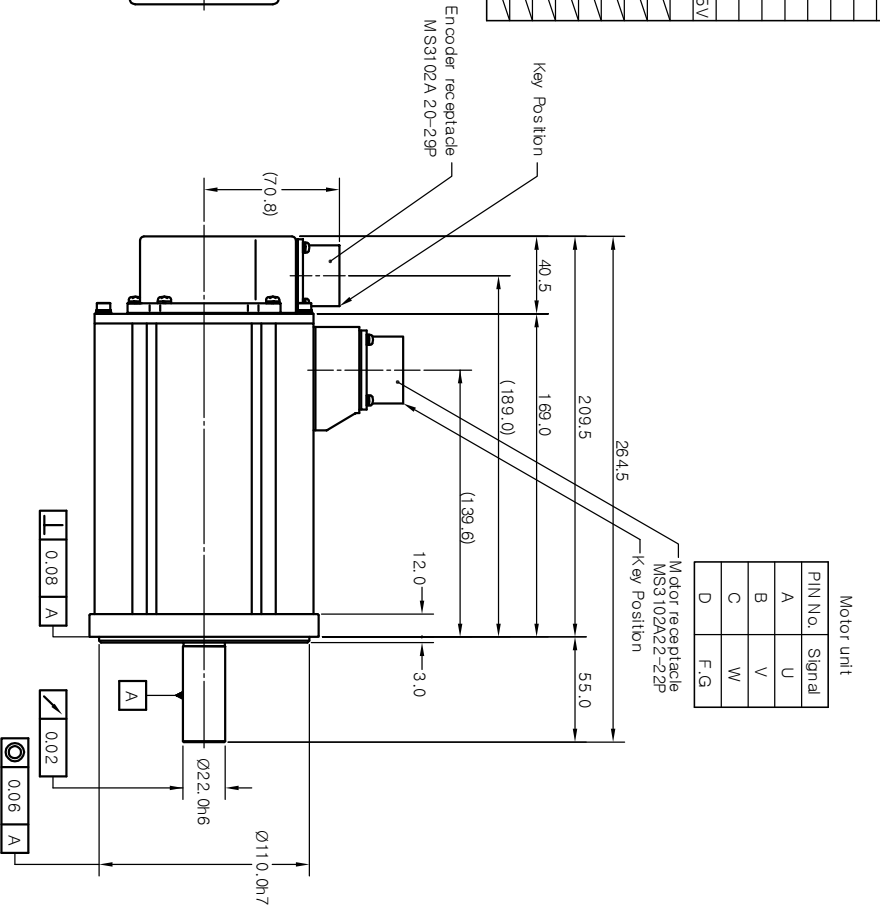
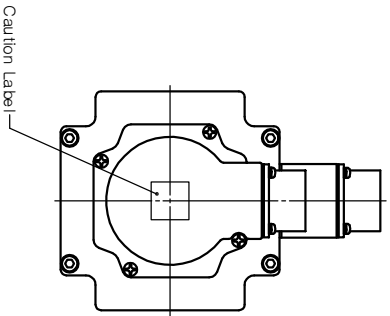
10057172

REV. No.

AMENDMENT			
SIGN	DESCRIPTION	MODIFIER	APPROVALS
		DATE	

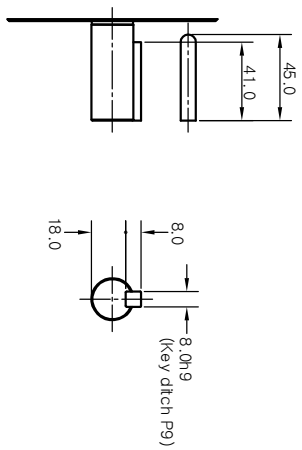
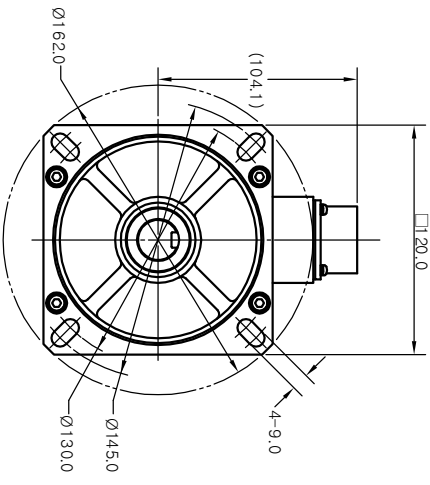
Rotary encoder unit

PIN No	Inc.	Abs. (17 bit)	Abs. (11 bit)	Inc.
A	A		A	A
B	A		A	A
C	B		B	B
D	B		B	B
E	Z		Z	Z
F	Z		Z	Z
G	0V	0V	0V	0V
H	DC +5V/ DC +5V/ DC +5V			
J	FG	FG	FG	FG
K	U	SD	RX	
L	V	SD	RX	
M	V			
N	V			
P	W			
R	W			
S	W	BAT-	BAT-	
T	W	BAT+	BAT+	



Motor unit

PIN No.	Signal
A	U
B	V
C	W
D	FG



ITEM	PART NAME	QTY	PART No.	DWG No.
PART LISTS				

ADAPTIVE MATERIAL	TOLERANCE LINEAR	ANGLE	2004.05.17	3rd Angle System
MATERIAL	HEAT TREATMENT	FINISH	Approved Checked Drawn Designed	Kim Mi Young Kim Jung Sam
ISSUING DIVISION: Mechanical Design Team				
SCALE: 1/2 UNIT mm				

ORIGINAL	
NEXT ASSY	USED ON SC KANS-308CHN
DWG SIZE: A2	
DWG No.: 10057172	
SHEET 1 OF 1	

**OUTLINE DRAWING**  
KOMOTEK CO., LTD.  
(KANS-308CHN)