

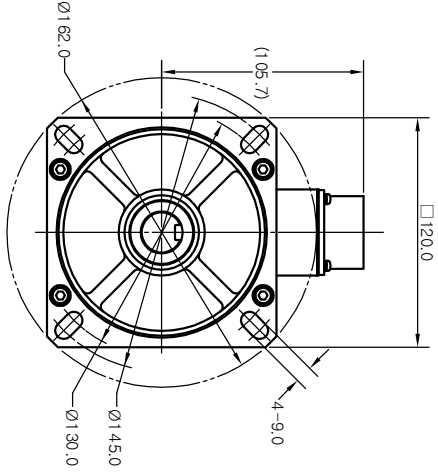
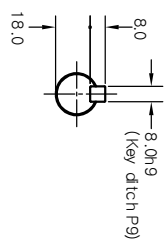
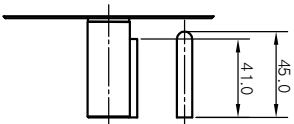
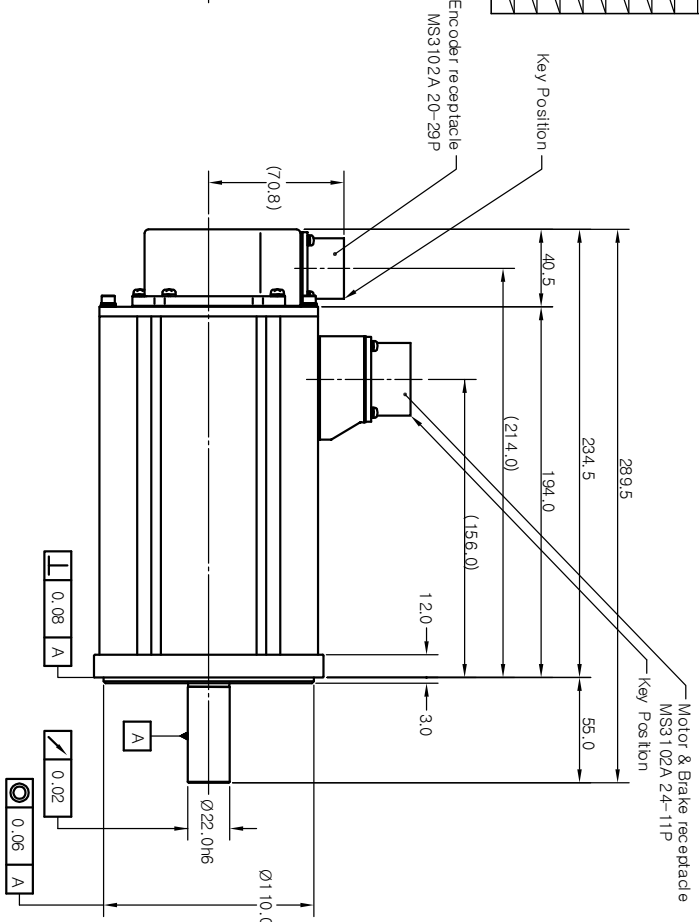
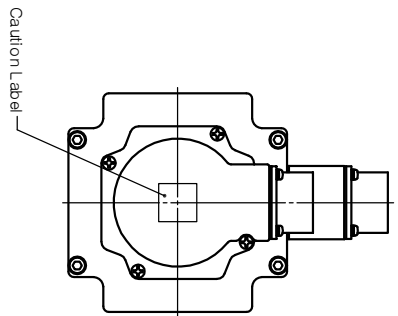
SIGN	DESCRIPTION	MODIFIER	APPROVALS	DATE

Rotary encoder unit

PIN No	In.c.	Abs. (17 bit)	Abs. (11 bit)	In.c.
	A	A	A	A
B	A	A	A	A
C	B	B	B	B
D	B	B	B	B
E	Z	Z	Z	Z
F	Z	Z	Z	Z
G	0V	0V	0V	0V
H	DC +5V	DC +5V	DC +5V	DC +5V
J	FG	FG	FG	FG
K	U	SD	RX	RX
L	U	SD	RX	RX
M	V			
N	V			
P	W			
R	W	RST	BAT-	BAT-
S	W	BAT-	BAT+	BAT+
T				

Motor unit

PIN No.	Signal
A	BR
B	BR
C	
D	U
E	V
F	W
G	F.G
H	F.G
I	



ORIGINAL	TOLERANCE LINEAR	ANGLE	ALTERNATIVE MATERIAL	ITEM	PART NAME	QTY	PART No.	DWG No.
	—	—			2004. 05. 17			
					3rd Angle System			
					Approved			
					Checked			
					Drawn			
					Designed			
					Issuing Division			
					Mechanical Design Team			
					SCALE 1/2 UNIT mm			
					W/T			
					DWG SIZE			
					DWG No.			
					10057173			
					SHEET			
					1 OF 1			

PART LISTS

KOMOTEK CO., LTD.
OUTLINE DRAWING
 (KAN-308□18□)

DWG No. 10057173
 SHEET 1 OF 1