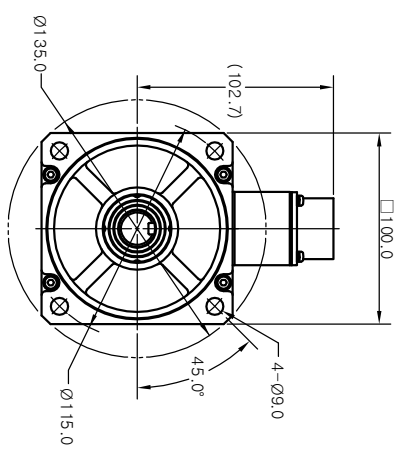
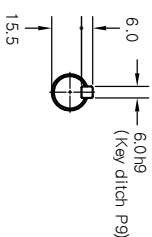
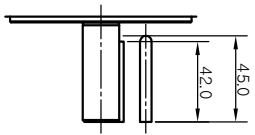
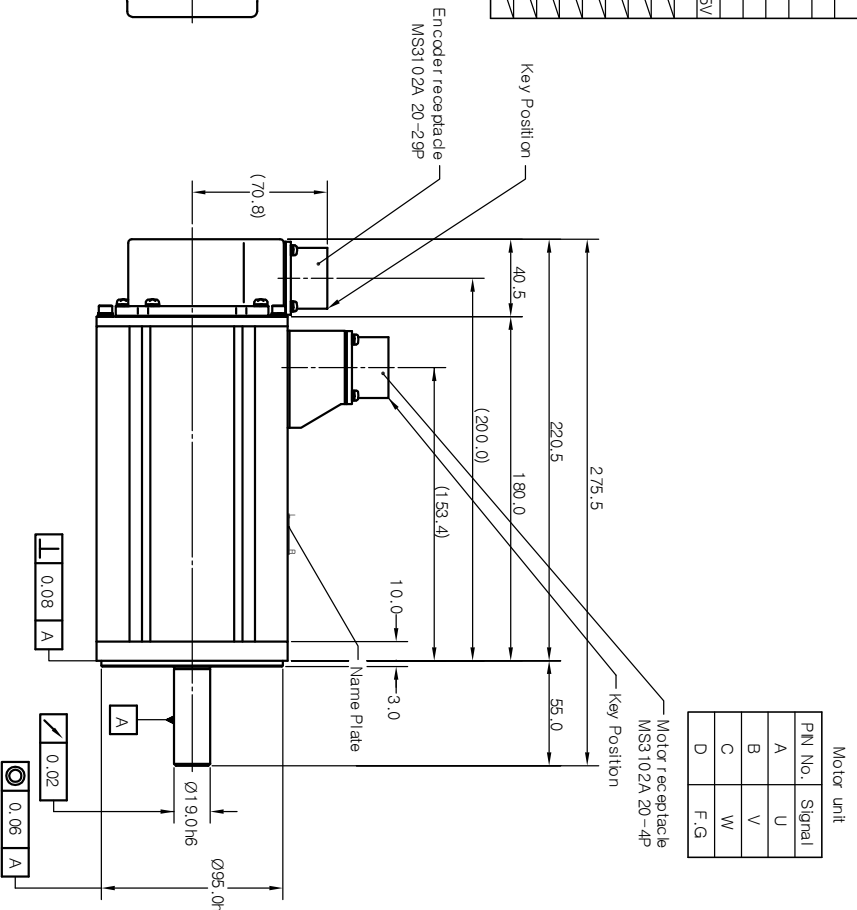
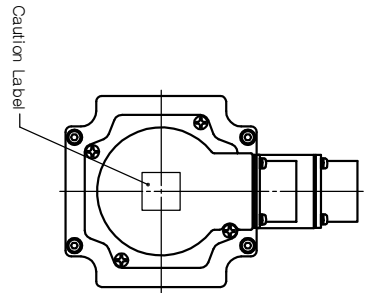


AMENDMENT				
SIGN	DESCRIPTION	MODIFIER	APPROVALS	DATE

Rotary encoder unit

Pin No	Inc. (17 bit)	Abs. (11 bit)	Inc. (9 Wires)
A	A	A	A
B	A	A	A
C	B	B	B
D	B	B	B
E	Z	Z	Z
F	Z	Z	Z
G	0V	0V	0V
H	DC+5V	DC+5V	DC+5V
J	FG	FG	FG
K	FG	FG	FG
L	U	SD	RX
M	V	SD	RX
N	V	V	V
P	W	W	W
R	W	RST	RST
S	BAT-	BAT-	BAT+
T	BAT+	BAT+	BAT+

PN No.	Signal
A	U
B	V
C	W
D	F,G



ORIGINAL		ALTERNATIVE MATERIAL		ITEM	PART NAME	QTY	PART No.	DWG No.
TOLERANCE		LINEAR	ANGLE	PART LISTS				
MATERIAL		HEAT TREATMENT		KOMOTEK CO., LTD.				
FINISH		FINISH		OUTLINE DRAWING				
P/N		USED ON		DWG No. 10057164				
NEXT ASSY		SC		SHEET 1 OF 1				