

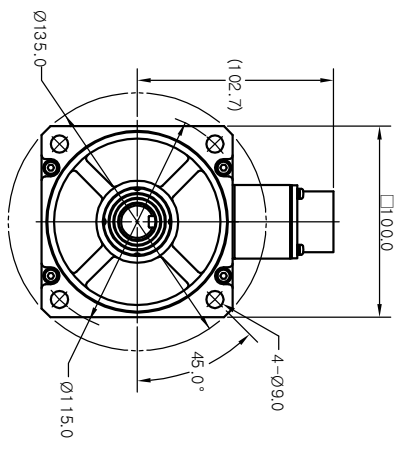
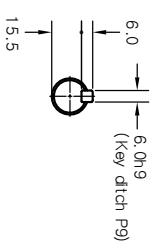
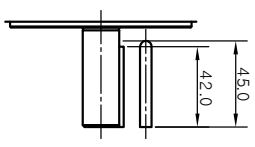
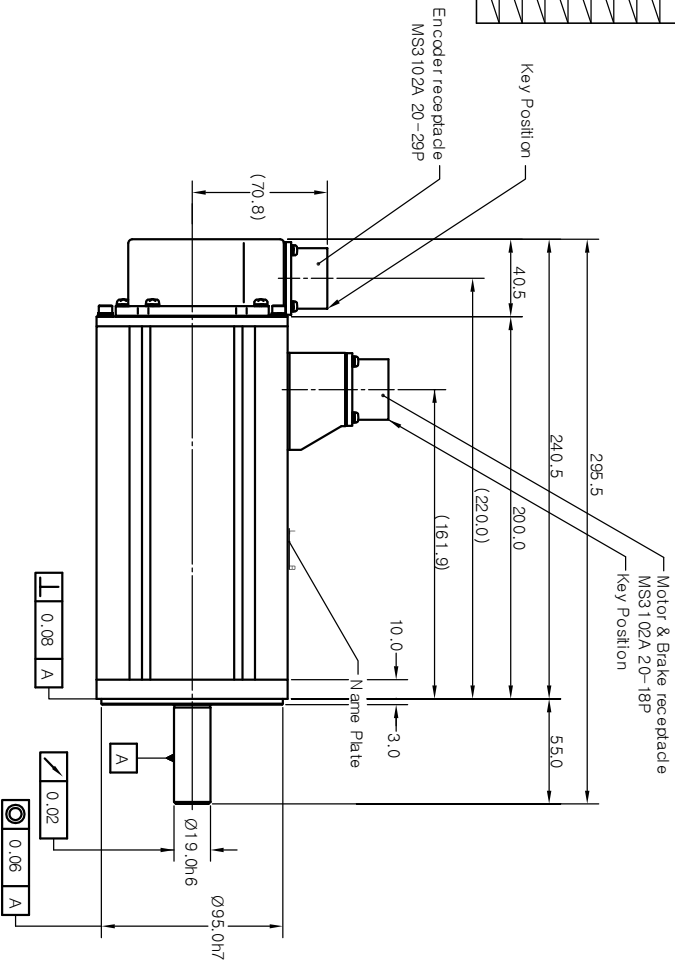
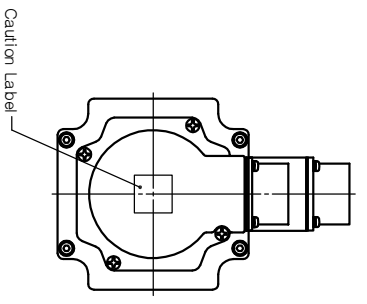
SIGN	DESCRIPTION	MODIFIER	APPROVALS	DATE

Rotary encoder unit

Pin No	Inc.	Abs. (17 bit)	Abs. (11 bit)	Inc.
15 Wires	9 Wires	15 Wires	9 Wires	
A	A	A	A	A
B	A	A	A	A
C	B	B	B	B
D	B	B	B	B
E	Z	Z	Z	Z
F	Z	Z	Z	Z
G	0V	0V	0V	0V
H	DC+5V	DC+5V	DC+5V	DC+5V
J	FG	FG	FG	FG
K	U	SD	RX	
L	U	SD	RX	
M	V			
N	V			
P	W			
R	W			
S	W	BAT-	BAT-	RST
T		BAT+	BAT+	

Motor unit

Pin No.	Signal
A	W
B	
C	
D	F.G
E	F.G
F	U
G	BR
H	BR
I	
V	



A

B

C

D

1

2

3

4

5

6

ORIGINAL

ALTERNATIVE MATERIAL

ITEM	PART NAME	QTY	PART No.	DWG No.

PART LISTS

KOMOTEK CO., LTD.

OUTLINE DRAWING

TOLERANCE	LINEAR	ANGLE
MATERIAL		
HEAT TREATMENT		
FINISH		

APPROVED	Checked	Drawn	Designed

ISSUING DIVISION	Mechanical Design Team
SCALE	1/2 UNIT mm

DWG SIZE	DWG No.	10057165
SHEET	1 OF 1	

A

B

C

D

3

4

6