

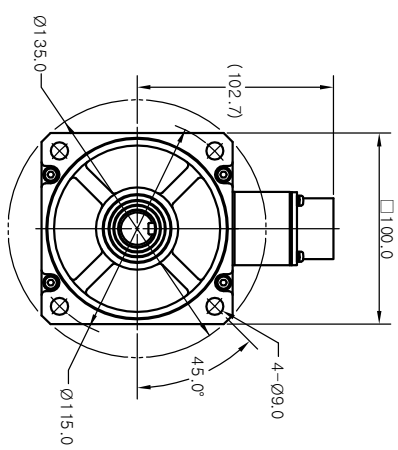
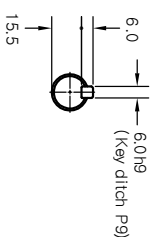
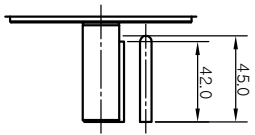
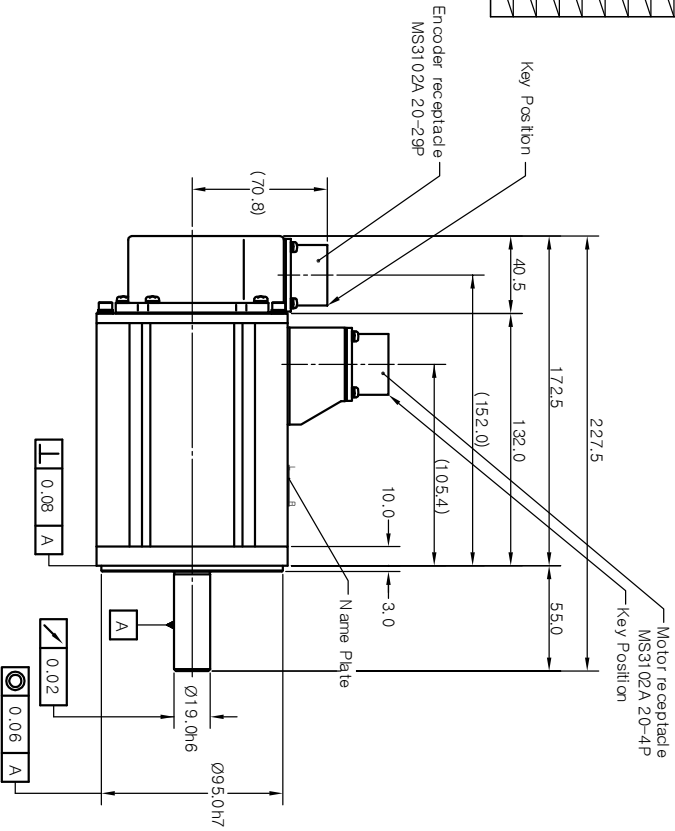
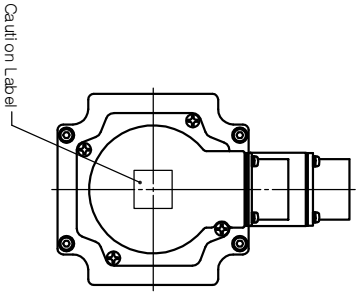
AMENDMENT			
SIGN	DESCRIPTION	MODIFIER	APPROVALS
			DATE

Rotary encoder unit

Pin No	Inc. (17 bit)	Abs. (11 bit)	Abs. (9 Wires)	h.c.
A	A	A	A	A
B	A	A	A	A
C	B	B	B	B
D	B	B	B	B
E	Z	Z	Z	Z
F	Z	Z	Z	Z
G	0V	0V	0V	0V
H	DC+5V	DC+5V	DC+5V	DC+5V
J	FG	FG	FG	FG
K	U	SD	FX	FX
L	U	SD	FX	FX
M	V	V	V	V
N	V	V	V	V
P	W	W	W	W
R	W	W	W	W
S	BAT-	BAT-	BAT-	BAT-
T	BAT+	BAT+	BAT+	BAT+

Motor unit

Pin No.	Signal
A	U
B	V
C	W
D	F.G



ORIGINAL	ALTERNATIVE MATERIAL	ITEM	PART NAME	QTY	PART No.	DWG No.
		PART LISTS				
	TOLERANCE LINEAR ANGLE	2005.05.17				
	MATERIAL	3rd Angle System				
	HEAT TREATMENT	Approved				
	FINISH	Checked				
		Drawn				
		Designed				
		Kwon Mi Young				
		Kim Jung Sam				
		ISSUING DIVISION				
		Mechanical Design Team				
P/N	USED ON	SCALE 1/2 UNIT mm				
NEXT ASSY	SC	KANS-1580 IN(D)				

KOMOTEK CO., LTD.

OUTLINE DRAWING

DWG SIZE A2
DWG No. 10057160
SHEET 1 OF 1