

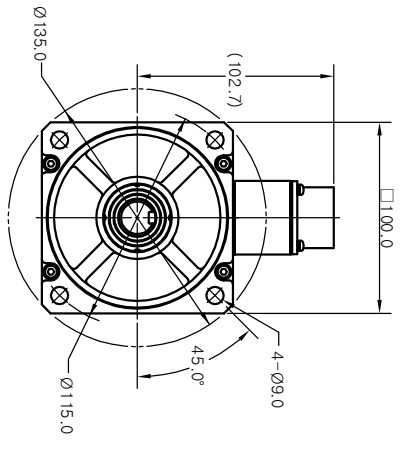
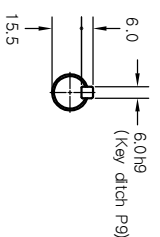
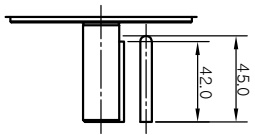
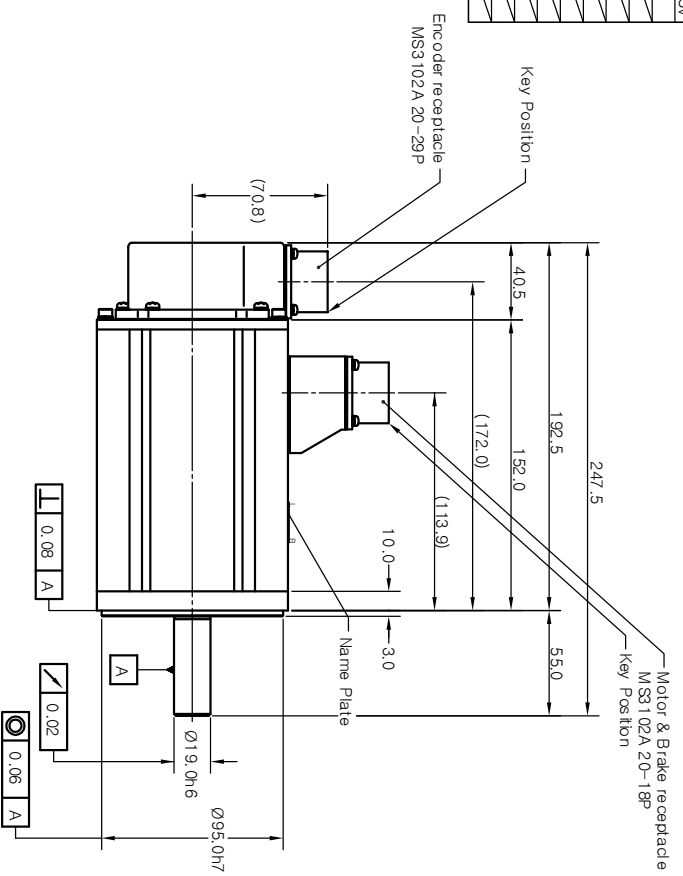
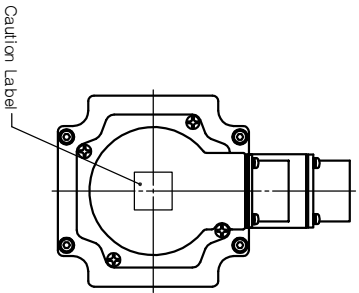
AMENDMENT			
SIGN	DESCRIPTION	MODIFIER	APPROVALS

Rotary encoder unit

PIN No	Inc. (17 bit)	Abs. (11 bit)	Inc. (9 Wires)
A	/	A	A
B	/	A	A
C	/	B	B
D	/	B	B
E	/	Z	Z
F	/	Z	Z
G	0V	0V	0V
H	DC +5V	DC +5V	DC +5V
J	FG	FG	FG
K	U	SD	RX
L	U	SD	RX
M	V	SD	RX
N	V	/	/
P	W	/	/
R	W	RST	RST
S	/	BAT-	BAT-
T	/	BAT+	BAT+

Motor unit

PIN No.	Signal
A	/
B	W
C	/
D	F.G
E	F.G
F	U
G	BR
H	BR
I	V



A

B

C

D

1

2

3

4

5

6

ORIGINAL	ALTERNATIVE MATERIAL	ITEM	PART NAME	QTY	PART No.	DWG No.

PART LISTS

KOMOTEK CO., LTD.

OUTLINE DRAWING

TOLERANCE LINEAR — ANGLE —	APPROVED Checked Drawn Designed Issuing Division Mechanical Design Team	2005. 05. 17 3rd Angle System	DWG SIZE DWG No. 10057161 SHEET 1 OF 1
MATERIAL — HEAT TREATMENT — FINISH —	Kwon Mi Young Kim Jung Sam	Scale 1/2 UNIT mm	A2