

51300001

REV. G.W.C

Motor unit

| PIN No. | Signal |
|---------|--------|
| 1       | U      |
| 2       | V      |
| 3       | W      |
| 4       | G      |

Brake unit

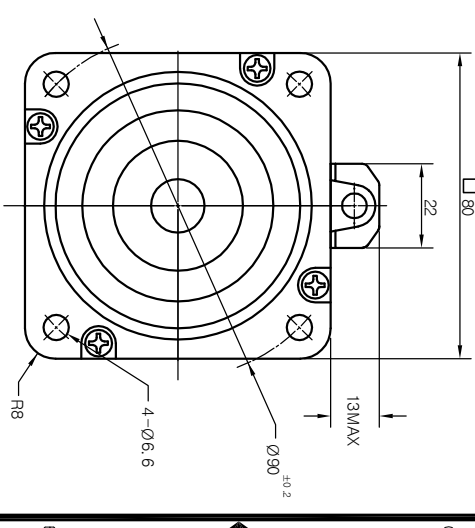
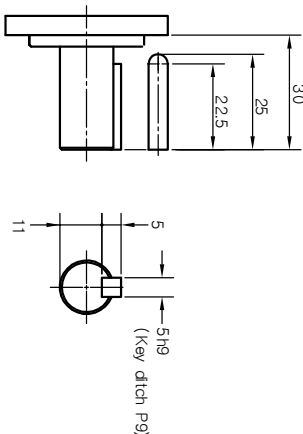
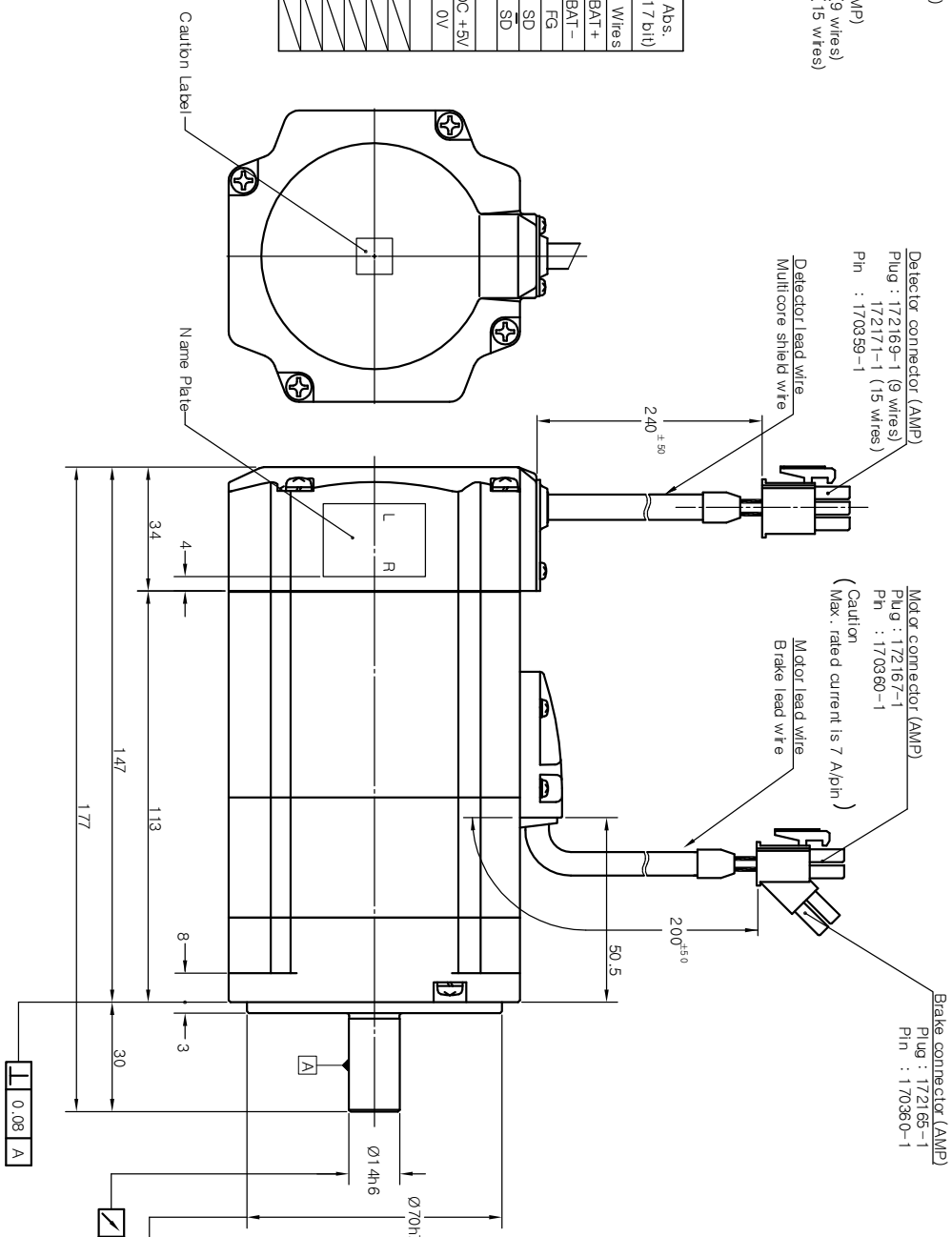
| PIN No. | Signal |
|---------|--------|
| 1       | Brake  |
| 2       | Brake  |

Opponent connector (No belongings)

- Motor connector (AMP)  
 - Cap : 172159-1  
 - Socket : 170362-1  
 or 170366-1
- Brake connector (AMP)  
 - Cap : 172157-1  
 - Socket : 170362-1  
 or 170366-1
- Detector connector (AMP)  
 - Cap : 172161-1 (9 wires)  
 - Socket : 170361-1 (15 wires)  
 or 170365-1

Rotary encoder unit

| PIN No | Inc.  | Abs. (17 bit) |
|--------|-------|---------------|
| 1      | A     | BAT+          |
| 2      | A     | BAT-          |
| 3      | B     | FG            |
| 4      | B     | SD            |
| 5      | Z     | Z             |
| 6      | Z     | Z             |
| 7      | DC+5V | DC+5V         |
| 8      | GND   | 0V            |
| 9      | FG    | V             |
| 10     | V     | V             |
| 11     | W     | W             |
| 12     | W     | W             |
| 13     | DC+5V | DC+5V         |
| 14     | GND   | GND           |
| 15     | FG    | FG            |



|                             |                      |                        |           |     |          |         |
|-----------------------------|----------------------|------------------------|-----------|-----|----------|---------|
| ORIGINAL                    | ALTERNATIVE MATERIAL | ITEM                   | PART NAME | QTY | PART No. | DWG.No. |
| TOLERANCE<br>LINEAR<br>±0.5 | ANGLE                | 2002.12.16             |           |     |          |         |
| MATERIAL                    | HEAT TREATMENT       | 3rd Angle System       |           |     |          |         |
| NEXT ASSY                   | USED ON              | Cho sang UK            |           |     |          |         |
| SEC. WAP. Q. (0000 BD)      | FINISH               | Drawn                  |           |     |          |         |
|                             |                      | Designed               |           |     |          |         |
|                             |                      | ISSUING DIVISION       |           |     |          |         |
|                             |                      | Mechanical Design Team |           |     |          |         |
|                             |                      | SCALE 1/1 UNIT:mm      |           |     |          |         |
|                             |                      | DWG SIZE               |           |     |          |         |
|                             |                      | DWG No. 10000315       |           |     |          |         |
|                             |                      | SHEET 1 OF 1           |           |     |          |         |

PART LISTS

KOMOTEK CO., LTD.

OUTLINE DRAWING

(KANQ-040000 BD)

AMENDMENT

| SIGN | DESCRIPTION | MODIFIER | APPROVALS | DATE |
|------|-------------|----------|-----------|------|
|      |             |          |           |      |