

31300001

REV. G.M.C

Motor unit

PIN No.	Signal
1	U
2	V
3	W
4	G

Brake unit

PIN No.	Signal
1	Brake
2	Brake

AMENDMENT

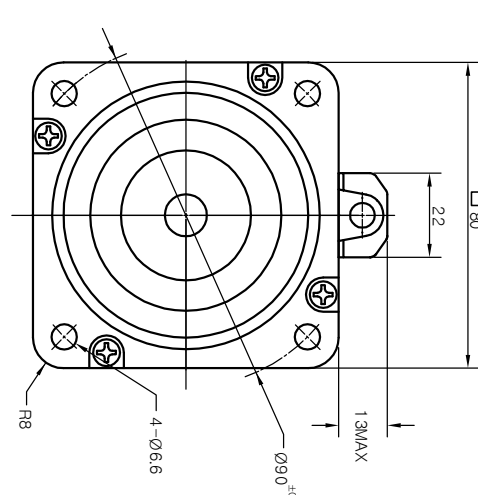
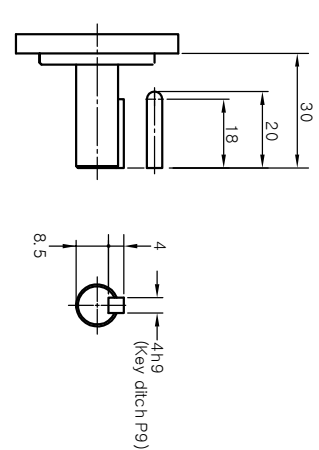
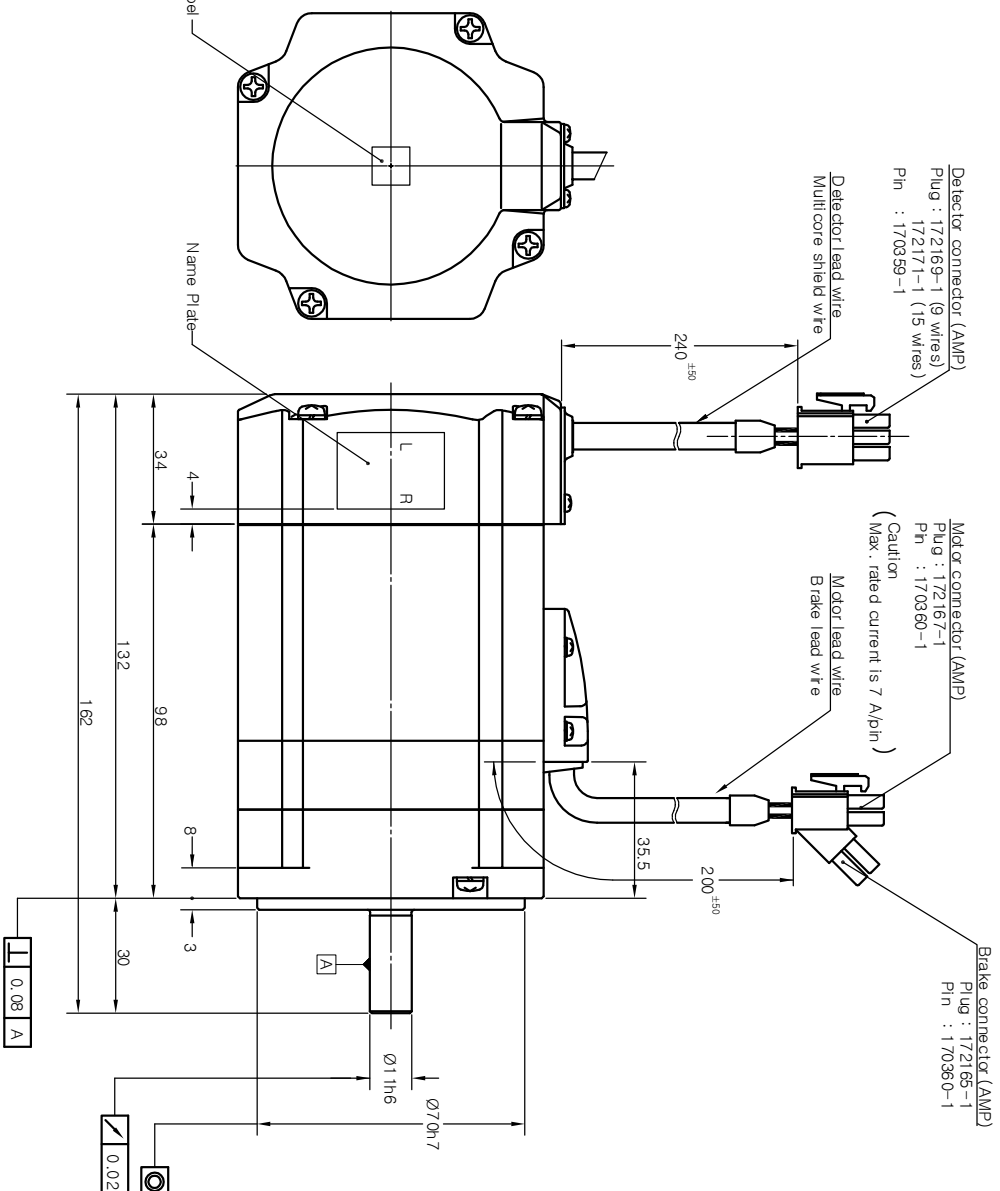
SIGN.	DESCRIPTION	MODIFIER	APPROVALS	DATE

Opponent connector (No belongings)

- Motor connector (AMP)
 - Cap : 172159-1
 - Socket : 170362-1 or 170366-1
- Brake connector (AMP)
 - Cap : 172157-1
 - Socket : 170362-1 or 170366-1
- Detector connector (AMP)
 - Cap : 172161-1 (9 wires)
 - Socket : 170361-1 (1.5 wires) or 170365-1

Rotary encoder unit

PIN No	Inc.	Abs. (17 bit)
1	A	BAT+
2	A	BAT-
3	B	FG
4	B	SD
5	Z	Z
6	Z	Z
7	DC+5V	DC+5V
8	GND	0V
9	FG	V
10	V	V
11	W	W
12	W	W
13	DC+5V	DC+5V
14	GND	GND
15	FG	FG



1 2 3 4 5 6

ORIGINAL

ALTERNATIVE MATERIAL

TOLERANCE LINEAR ±0.5 ANGLE

MATERIAL HEAT TREATMENT FINISH

2002.12.16

3rd Angle System

Approved Cho Sang Uk

Checked

Drawn Kwon Mi Young

Designed

ISSUING DIVISION Mechanical Design Team

SCALE 1/1 UNIT mm

PART NAME PART No. DWG No.

PART NAME KOMOTEK CO., LTD.

DWG SIZE DWG No. 10000313

ISSUING DIVISION (KANQ-0200080)

DWG SIZE A2

SHEET 1 OF 1

ORIGINAL

NEXT ASSY

USED ON

FINISH

SCALE 1/1 UNIT mm

WT.

SCALE 1/1 UNIT mm

WT.

SCALE 1/1 UNIT mm

WT.