

90300001

No. G.W.C

AMENDMENT

SIGN	DESCRIPTION	MODIFIER	APPROVALS	DATE

Opponent connector(No belongings)

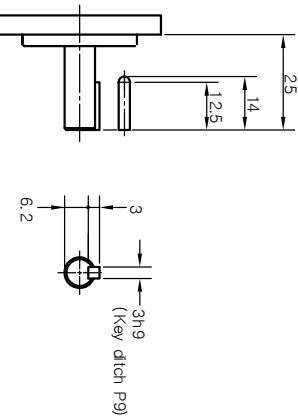
Motor connector (AMP)
 - Cap : 172159-1
 - Socket : 170362-1
 or 170366-1

Detector connector (AMP)
 - Cap : 172161-1 (9 wires)
 - Plug : 172163-1 (15 wires)
 - Socket : 170361-1
 or 170365-1

Motor unit

PIN No	Signal
1	U
2	V
3	W
4	G

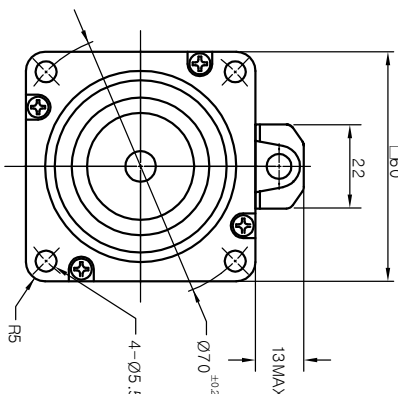
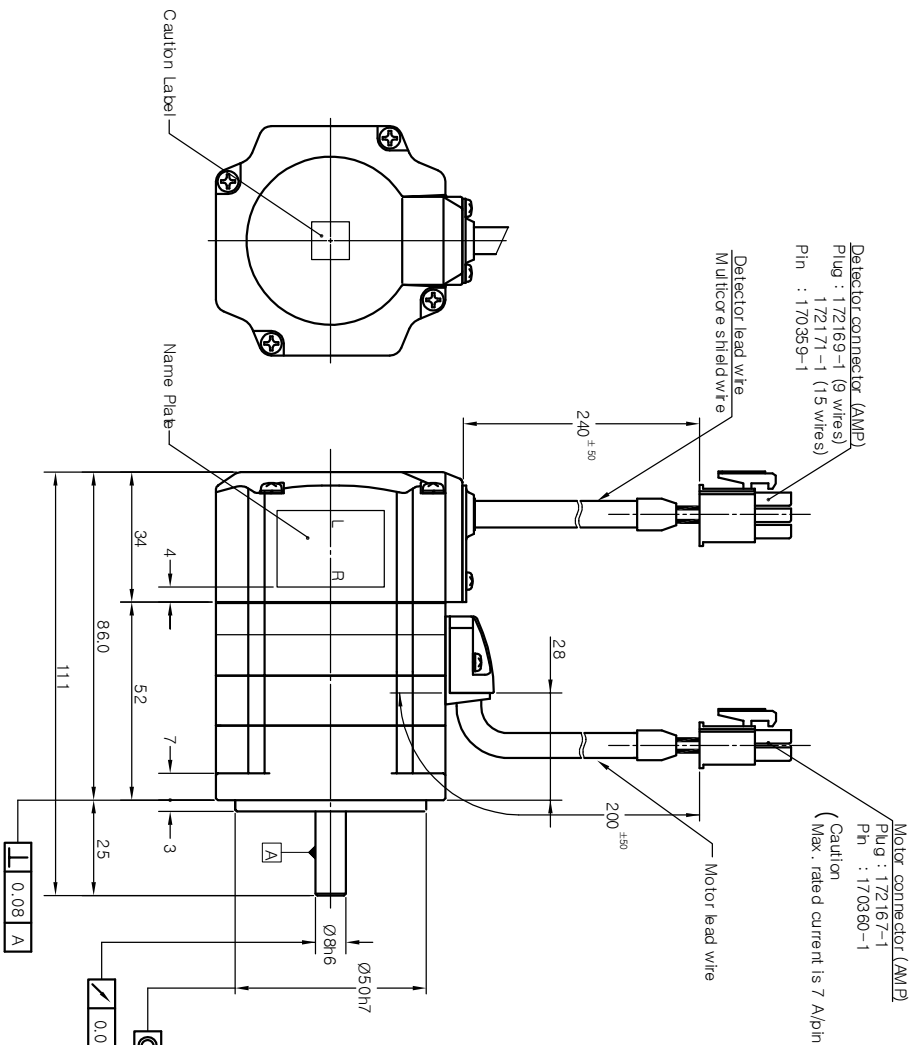
Motor connector (AMP)
 Plug : 172167-1
 Pin : 170360-1
 (Caution
 Max. rated current is 7 A/pin)



With key

Rotary encoder unit

PIN No	Inc.	Abs. (17 bit)
1	A	A
2	A	BAT+
3	B	BAT-
4	B	FG
5	Z	SD
6	Z	SD
7	DC +5V	U
8	GND	U
9	FG	V
10	FG	V
11	W	W
12	W	W
13	DC +5V	GND
14	GND	FG
15	FG	FG



ORIGINAL	ALTERNATIVE MATERIAL	ITEM	PART NAME	QTY	PART No.	DWG.No.
TOLERANCE LINEAR ± 0.5	ANGLE	2002.12.16				
MATERIAL	HEAT TREATMENT	3rd Angle System				
DESIGNED	ISSUING DIVISION	Approved Cho Sang Uk				
HEAT TREATMENT	Mechanical Design Team	Checked Kwon mi young				
SCALE 1/1 UNIT:mm	WT.	DRAWN				
DWG SIZE A2	DWG No. 10000306	DESIGNED				
SHEET 1 OF 1		ISSUING DIVISION				
		Mechanical Design Team				

PART LISTS

KOMOTEK CO., LTD.

OUTLINE DRAWING

(KANQ-01□□□□ND)