

10300001

REV. G.M.C

Opponent connector (No belongings)

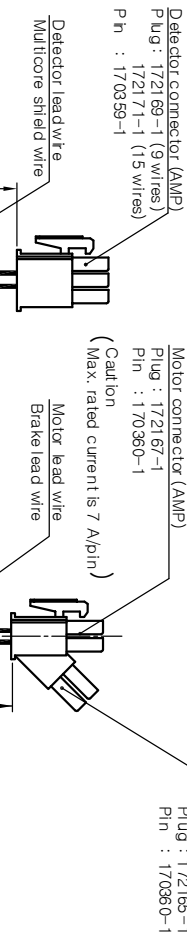
- Motor connector (AMP)
 - Cap : 172159-1
 - Socket : 170362-1 or 170366-1
- Brake connector (AMP)
 - Cap : 172157-1
 - Socket : 170362-1 or 170366-1
- Detector connector (AMP)
 - Cap : 172161-1 (9 wires)
 - Socket : 172163-1 (15 wires) or 170355-1

Motor unit	
PIN No	Signal
1	U
2	V
3	W
4	G

Brake unit	
PIN No	Signal
1	Brake
2	Brake

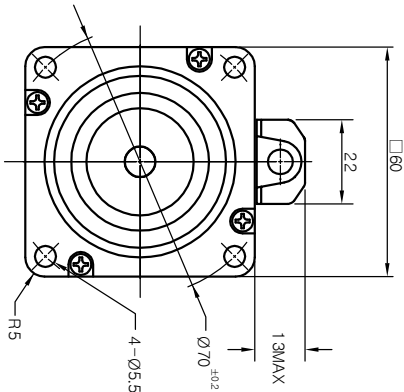
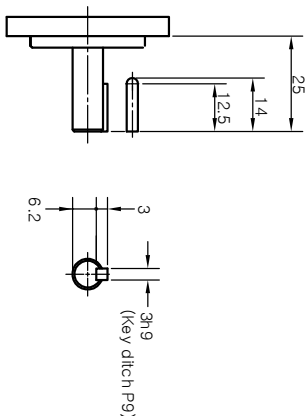
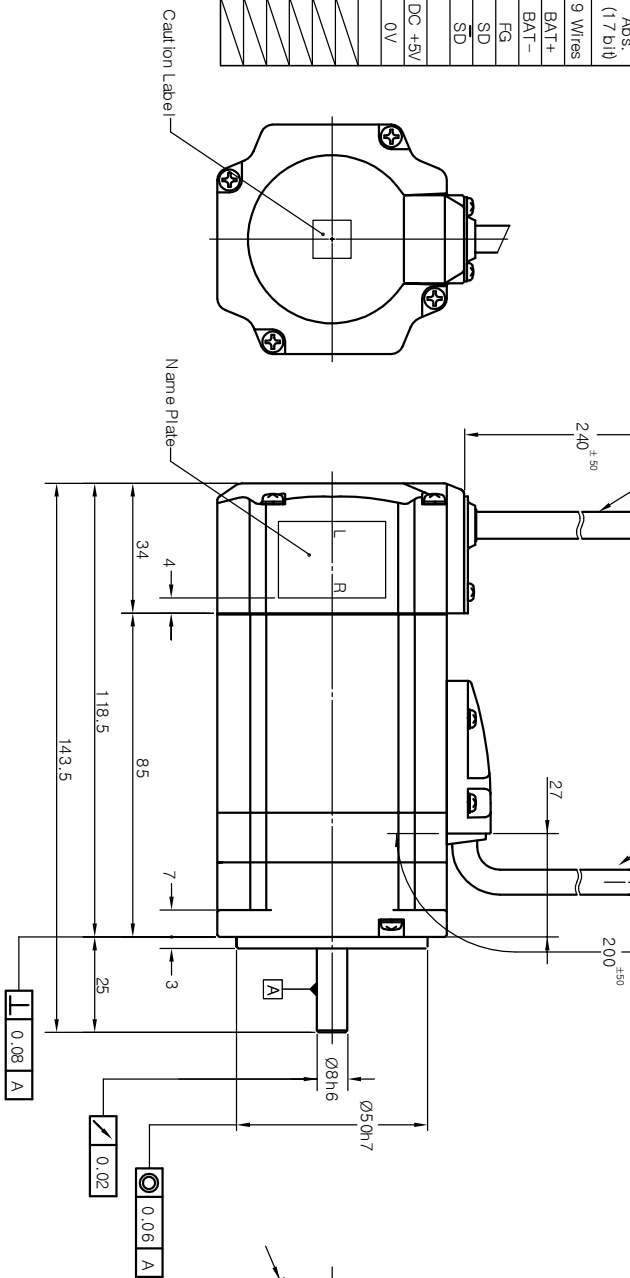
AMENDMENT

SIGN	DESCRIPTION	MODIFIER	APPROVALS	DATE



Rotary encoder unit

PIN No	Inc.	Abs. (17 bit)
1	A	BAT+
2	A	BAT-
3	B	B
4	B	B
5	Z	SD
6	Z	Z
7	DC+5V	DC+5V
8	GND	U
9	FG	V
10	FG	V
11	W	W
12	W	W
13	DC+5V	DC+5V
14	GND	GND
15	FG	FG



ORIGINAL	ALTERNATIVE MATERIAL	ITEM	PART NAME	QTY	PART No.	DWG.No.
TOLERANCE LINEAR ±0.5	ANGLE	2002.12.16				
MATERIAL	HEAT TREATMENT	3rd Angle System				
DESIGNED	FINISH	Approved Cho Sang Uk				
ISSUING DIVISION Mechanical Design Team	SCALE 1/1 UNIT mm	Drawn Kwon mi young				
DWG SIZE A2	DWG No. 10000307	Checked				
SHEET 1 OF 1		Designed Kwon mi young				
		ISSUING DIVISION Mechanical Design Team				
		SCALE 1/1 UNIT mm				
		NEXT ASSY USED ON FINISH				
		SEC. KANG-9-000000				

PART LISTS

KOMOTEK CO., LTD.

OUTLINE DRAWING