

96075001

96075001

AMENDMENT

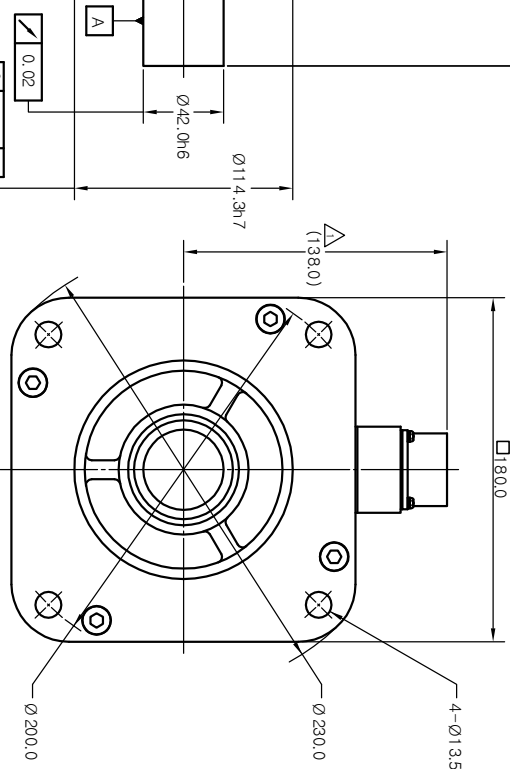
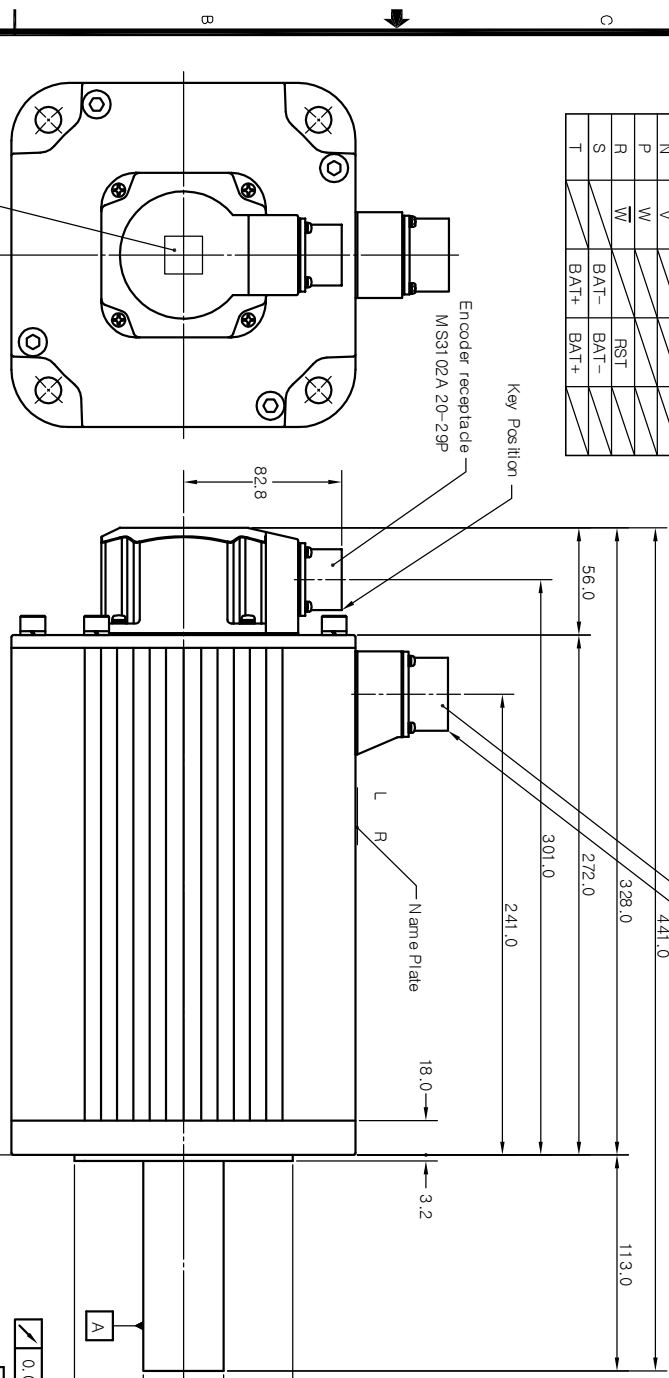
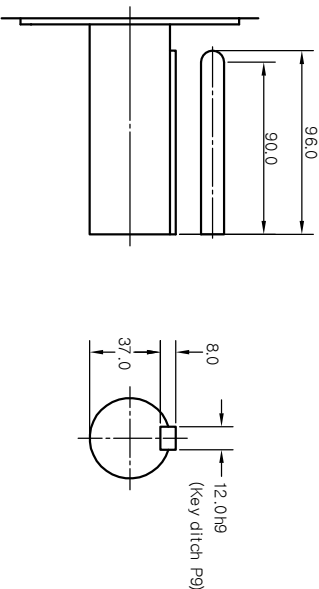
SIGN	DESCRIPTION	MODIFIER	APPROVALS	DATE
△	143.0 → (138.0)	권미영		2005.03.15

Rotary encoder unit

PIN No	Inc. (17 Bits)	Abs. (11 Bit)	Inc. (9 Wires)
A	A	A	A
B	A	A	A
C	B	B	B
D	B	B	B
E	Z	Z	Z
F	Z	Z	Z
G	0V	0V	0V
H	DC+5V	DC+5V	DC+5V
J	FG	FG	FG
K	U	SD	RX
L	U	SD	RX
M	V		
N	V		
P	W		
R	W	FST	BAT-
S		BAT-	BAT-
T		BAT+	BAT+

Motor unit

PIN No.	Signal
A	U
B	V
C	W
D	FG



ORIGINAL	ALTERNATIVE MATERIAL	ITEM	PART NAME	QTY	PART No.	DWG No.
	TOLERANCE LINEAR ANGLE	PART LISTS				
	MATERIAL HEAT TREATMENT FINISH	KOMOTEK CO., LTD.				
	NEXT ASSY USED ON FINISH	OUTLINE DRAWING (KANL-45B □ IN □)				
		DWG SIZE DWG No. 10057096				
		SCALE 1/2 UNIT mm WT. SHEET 1 OF 1				

A

B

C

D

A

B

C

D

1

2

3

4

5

6