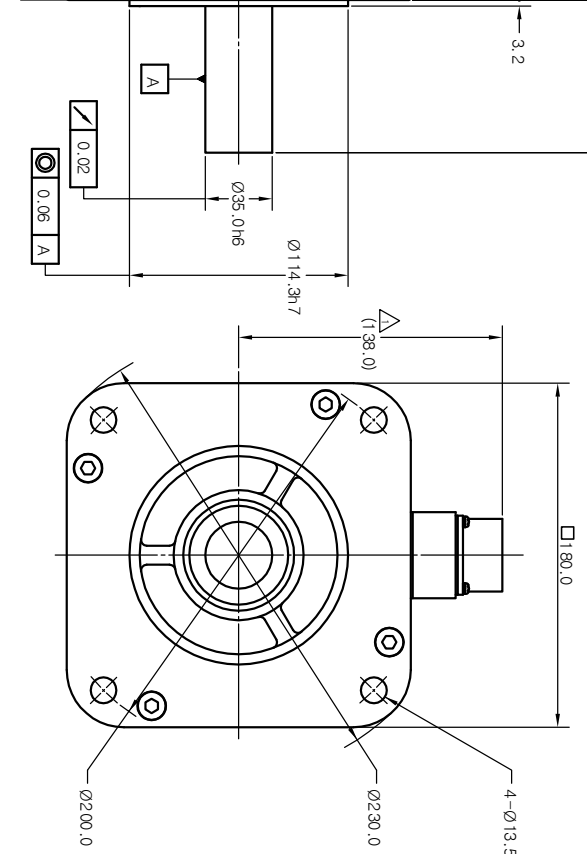
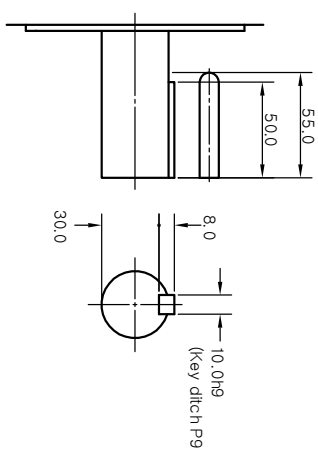
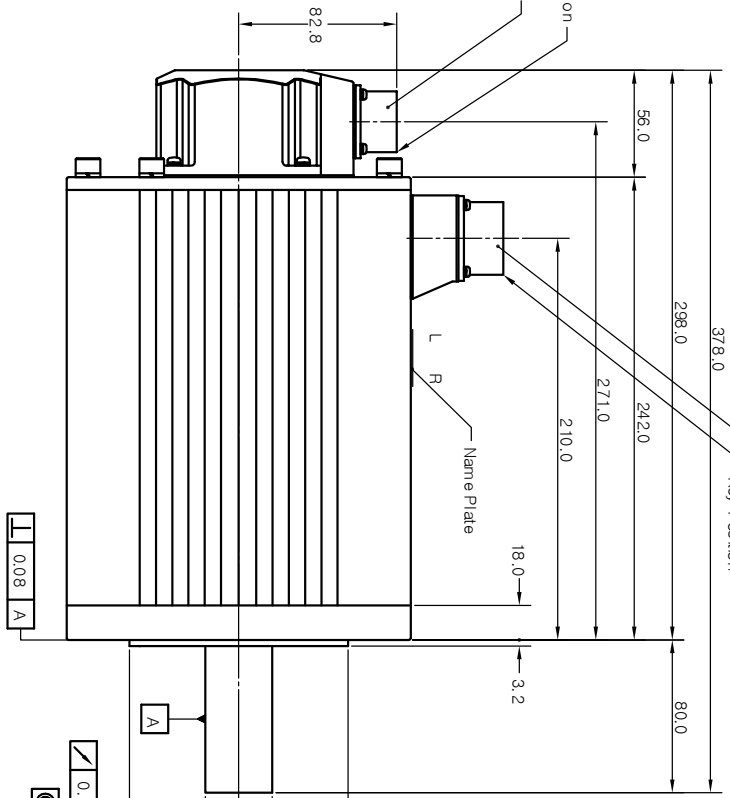
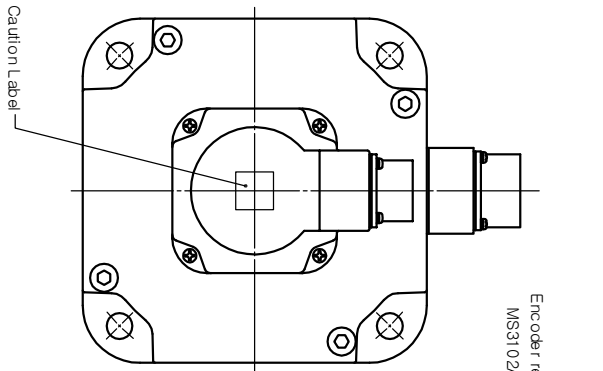


Rotary encoder unit

PIN No	Inc. (17 Bit) (11 Bit)		Abs. (11 Bit)		Inc. 9 Wires
	15 Wires	9 Wires	15 Wires	9 Wires	
A	A	A	A	A	A
B	A	A	A	A	A
C	B	B	B	B	B
D	B	B	B	B	B
E	Z	Z	Z	Z	Z
F	Z	Z	Z	Z	Z
G	0V	0V	0V	0V	0V
H	DC+5V	DC+5V	DC+5V	DC+5V	DC+5V
J	FG	FG	FG	FG	FG
K	U	SD	RX	RX	RX
L	U	SD	RX	RX	RX
M	V	V	V	V	V
N	V	V	V	V	V
P	W	W	RS1	RS1	RS1
R	W	W	BAT-	BAT-	BAT-
S	W	W	BAT-	BAT-	BAT-
T	W	W	BAT+	BAT+	BAT+

Motor unit

PIN No.	Signal
A	BR
B	BR
C	U
D	U
E	V
F	W
G	FG
H	FG
I	FG



AMENDMENT		MODIFIER	APPROVALS	DATE
SIGN	DESCRIPTION	권미영		2005.03.15
143.0	(138.0)			

ALTERNATIVE MATERIAL	ITEM	PART NAME	QTY	PART No.	DWG No.

TOLERANCE	ANGLE
LINEAR	
MATERIAL	
HEAT TREATMENT	

APPROVED	DESIGNED	ISSUING DIVISION	SCALE
Checked	Designed	Mechanical Design Team	1/2 UNIT mm
Kim Jungnam	Kim Jungnam		

DATE	DESCRIPTION	APPROVALS
2003.06.29	3rd Angle System	

ORIGINAL	NEXT ASSY
USED ON	USED ON
FINISH	FINISH

KOMOTEK CO., LTD.

OUTLINE DRAWING

DWG SIZE: A2

DWG No.: 10057095

SHEET 1 OF 1