

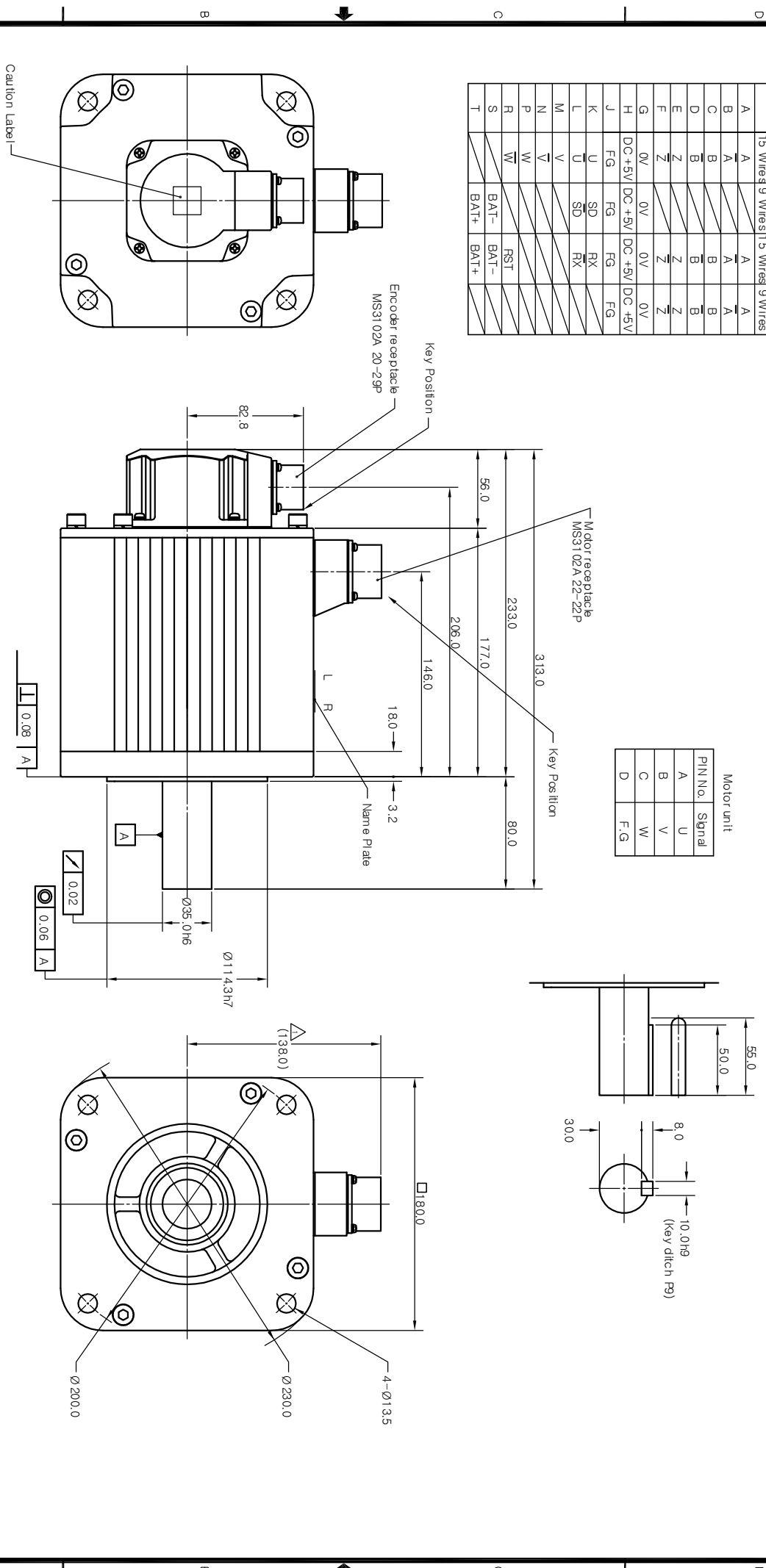
SIGNATURE	DESCRIPTION	MODIFIER	APPROVALS	DATE
143.0	138.0	권미영		2005.03.15

Rotary encoder unit

PIN No.	Inc. (17 Bit)	Abs. (11 Bit)	Abs. (9 Wires)	Inc. (9 Wires)
A	A	A	A	A
B	A	A	A	A
C	B	B	B	B
D	B	B	B	B
E	Z	Z	Z	Z
F	Z	Z	Z	Z
G	0V	0V	0V	0V
H	DC+5V	DC+5V	DC+5V	DC+5V
J	FG	FG	FG	FG
K	U	SD	RX	RX
L	U	SD	RX	RX
M	V			
N	V			
P	W			
R	W	FST	BAT-	BAT-
S	W		BAT-	BAT-
T			BAT+	BAT+

Motor unit

PIN No.	Signal
A	U
B	V
C	W
D	F,G



ALTERNATIVE MATERIAL	ITEM	PART NAME	QTY	PART No.	DWG No.
TOLERANCE LINEAR		2004.06.29			
ANGLE		3rd Angle System			
MATERIAL		Approved			
HEAT TREATMENT		Drawn			
		Designed			
		ISSUING DIVISION			
		Mechanical Design Team			
		SCALE 1/2 UNIT mm			
		WT.			

ORIGINAL					
NEXT ASSY					
USED ON					
FINISH					

PART LISTS

PART NAME	KOMOTEK CO., LTD.
OUTLINE DRAWING	
DWG SIZE	A2
DWG No.	10057092
SHEET	1 OF 1