

10057093

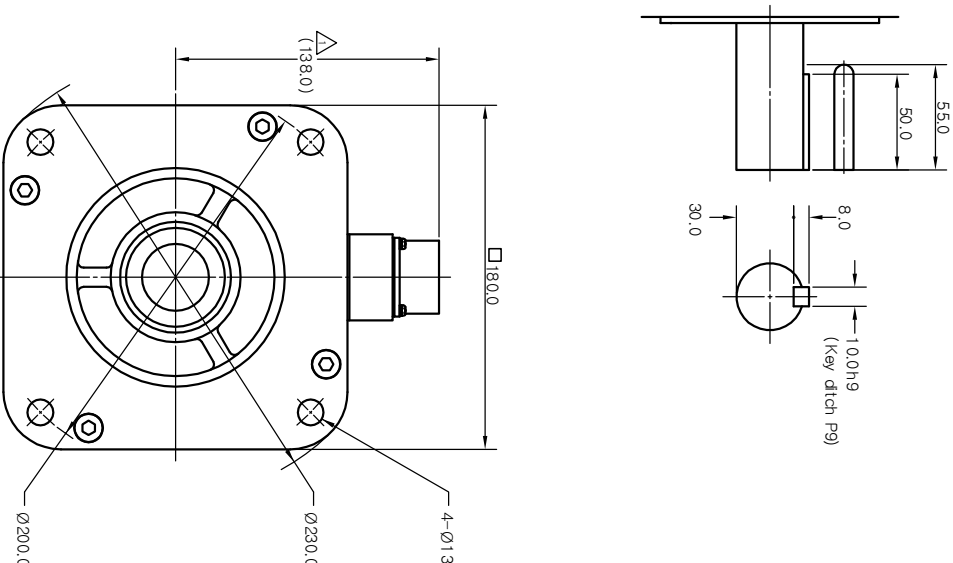
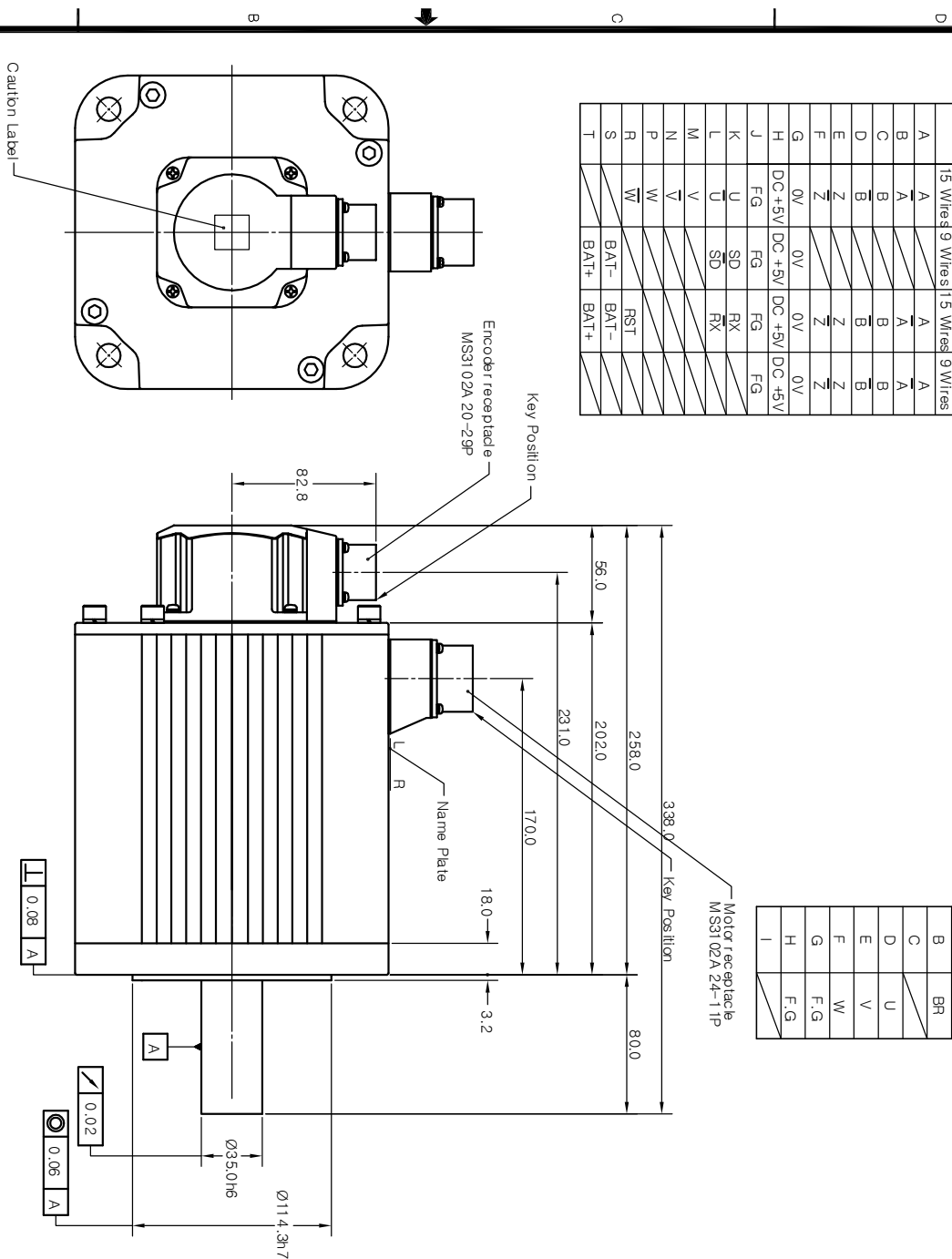
NO. G.W.C

Rotary encoder unit

PIN No	Inc.	Abs. (17 Bit)	Abs. (11 Bit)	Inc.
	15 Wires	9 Wires	15 Wires	9 Wires
A	A	A	A	A
B	A	A	A	A
C	B	B	B	B
D	B	B	B	B
E	Z	Z	Z	Z
F	Z	Z	Z	Z
G	0V	0V	0V	0V
H	DC+5V	DC+5V	DC+5V	DC+5V
J	FG	FG	FG	FG
K	U	SD	RX	RX
L	U	SD	RX	RX
M	V			
N	V			
P	W			
R	W	BAT-	BAT-	BAT-
S		BAT-	BAT-	BAT-
T		BAT+	BAT+	BAT+

Motor unit

PIN No.	Signal
A	BR
B	BR
C	U
D	U
E	V
F	W
G	F.G
H	F.G
I	



SIGN	DESCRIPTION	MODIFIER	APPROVALS	DATE
△	143.0 → (138.0)	권미영		2005.03.15

AMENDMENT

ALTERNATIVE MATERIAL	ITEM	PART NAME	QTY	PART No.	DWG No.

TOLERANCE	ANGLE
LINEAR	

MATERIAL	HEAT TREATMENT	FINISH

ORIGINAL	APPROVED	DATE
		2004.06.29

PART NAME	DWG SIZE	DWG No.	SHEET	OF
KOMOTEK CO., LTD.	A2	10057093	1	1

OUTLINE DRAWING

ISSUING DIVISION	MECHANICAL DESIGN TEAM

SCALE	UNIT	MM	WT.
1/2			