

68075001

No. G.W.C

AMENDMENT

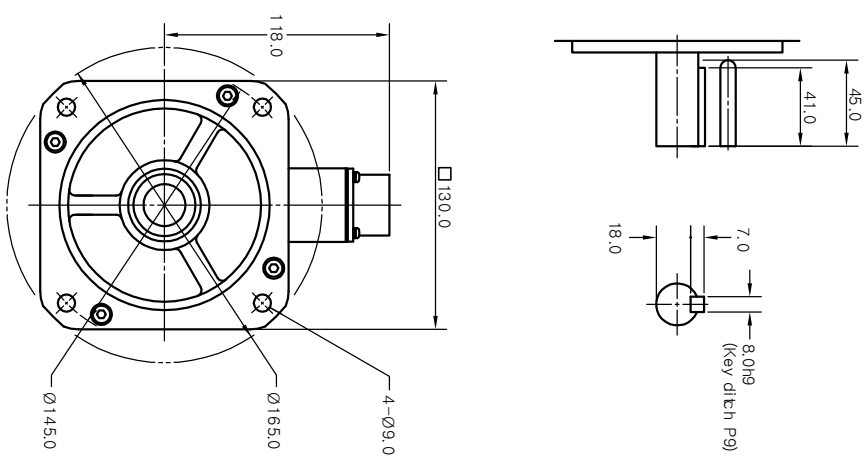
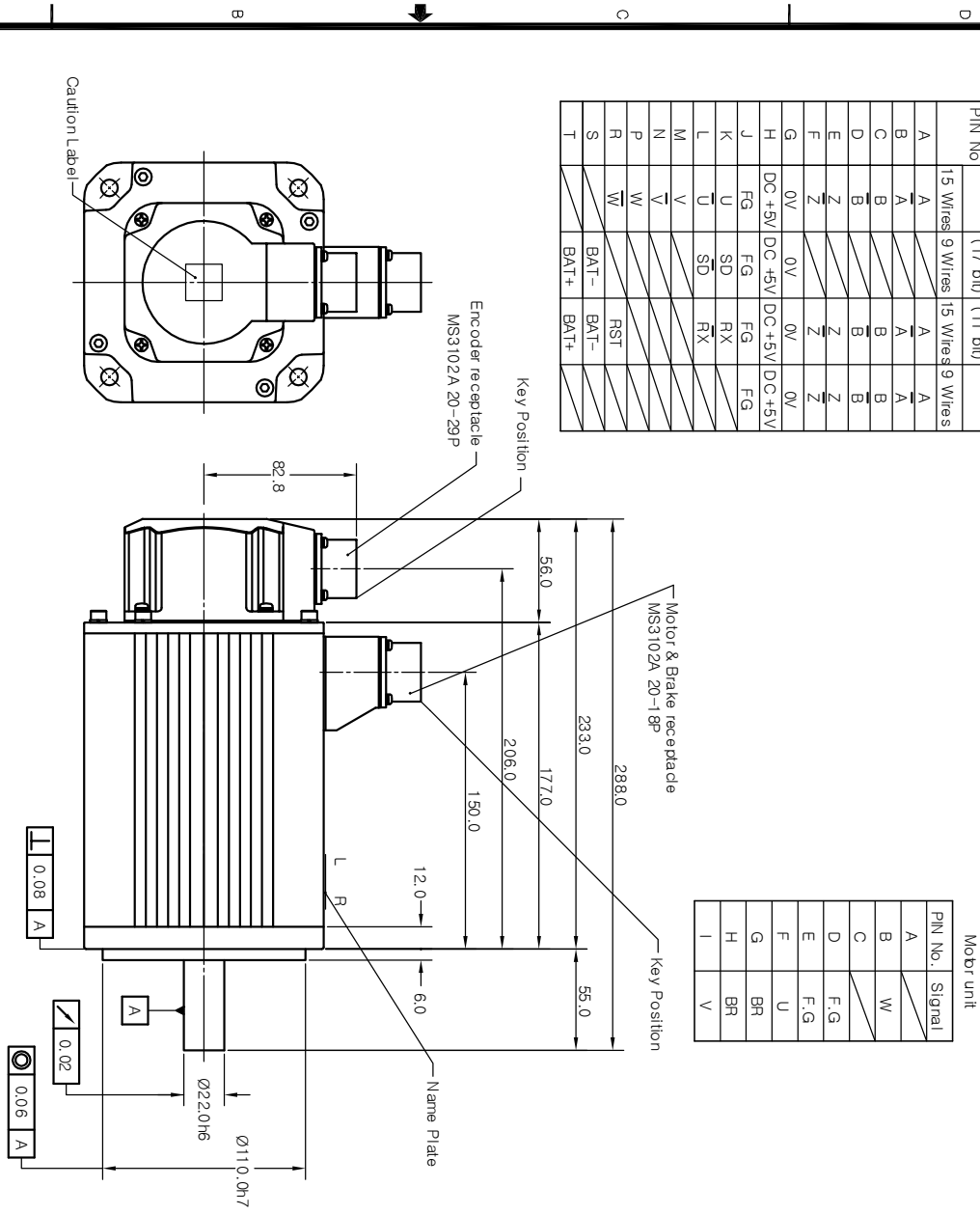
SIGN	DESCRIPTION	MODIFIER	APPROVALS	DATE

Rotary encoder unit

PIN No	Inc.	Abs. (17 bit)	Abs. (11 bit)	Inc.
A	A	/	A	A
B	A	/	A	A
C	B	/	B	B
D	B	/	B	B
E	Z	/	Z	Z
F	Z	/	Z	Z
G	0V	0V	0V	0V
H	DC +5V	DC +5V	DC +5V	DC +5V
J	FG	FG	FG	FG
K	U	SD	RX	FG
L	U	SD	FX	
M	V	/	/	
N	V	/	/	
P	W	/	/	
R	W	BAT-	RST	
S	/	BAT-	BAT-	
T	/	BAT+	BAT+	

Motor unit

PIN No.	Signal
A	/
B	W
C	/
D	F,G
E	F,G
F	U
G	BR
H	BR
I	V



ITEM	PART NAME	QTY	PART No.	DWG No.

ALTERNATIVE MATERIAL	TOLERANCE	ANGLE
	LINEAR	

APPROVED	DESIGNED	ISSUING DIVISION	SCALE
Checked	Drawn	Mechanical Design Team	1/2 UNIT mm

DATE	APPROVALS
2004.06.29	

ORIGINAL	NEXT ASSY	USED ON	FINISH

**KOMOTEK CO., LTD.**

**OUTLINE DRAWING**

DWG SIZE: **A2**

DWG No. 10057089

SHEET 1 OF 1