

10057086

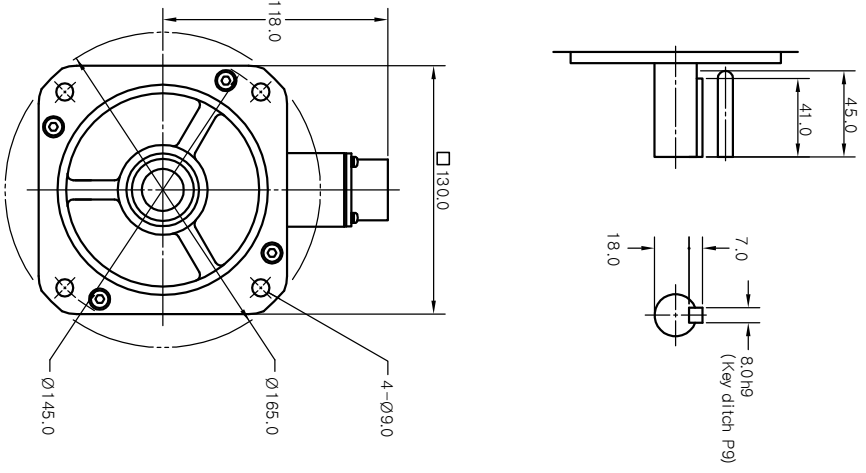
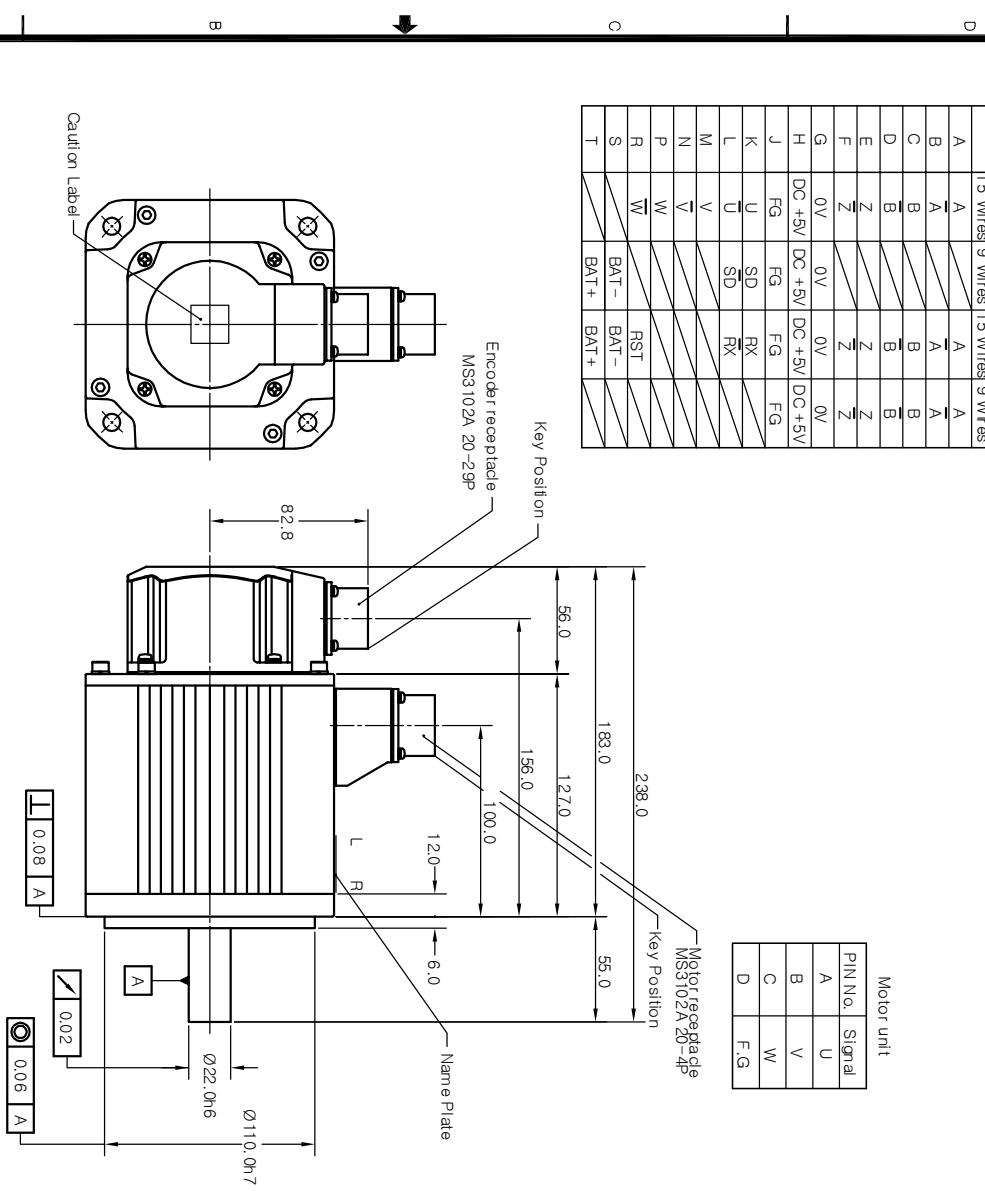
No. G.W.C

Rotary encoder unit

PIN No	Inc.		Abs. (17 bit)		Abs. (11 bit)		Inc.	
	15 Wires	9 Wires	15 Wires	9 Wires	15 Wires	9 Wires	15 Wires	9 Wires
A	A	A	A	A	A	A	A	A
B	A	A	A	A	A	A	A	A
C	B	B	B	B	B	B	B	B
D	B	B	B	B	B	B	B	B
E	Z	Z	Z	Z	Z	Z	Z	Z
F	Z	Z	Z	Z	Z	Z	Z	Z
G	0V	0V	0V	0V	0V	0V	0V	0V
H	DC +5V	DC +5V	DC +5V	DC +5V	DC +5V	DC +5V	DC +5V	DC +5V
J	FG	FG	FG	FG	FG	FG	FG	FG
K	U	SD	SD	SD	SD	SD	SD	SD
L	U	SD	SD	SD	SD	SD	SD	SD
M	V	SD	SD	SD	SD	SD	SD	SD
N	V	SD	SD	SD	SD	SD	SD	SD
P	W	SD	SD	SD	SD	SD	SD	SD
R	W	SD	SD	SD	SD	SD	SD	SD
S	W	BAT-	BAT-	BAT-	BAT-	BAT-	BAT-	BAT-
T	W	BAT+	BAT+	BAT+	BAT+	BAT+	BAT+	BAT+

Motor unit

PIN No.	Signal
A	U
B	V
C	W
D	F.G



ORIGINAL	ALTERNATIVE MATERIAL	ITEM	PART NAME	QTY	PART No.	DWG No.
TOLERANCE LINEAR	ANGLE	PART LISTS				
HEAT TREATMENT	FINISH	KOMOTEK CO., LTD.				
APPROVED	3rd Angle System	PART NAME				
DRAWN	K.M. Jungsam	OUTLINE DRAWING				
DESIGNED	K.M. Jungsam	(KANL-05B D1ND)				
ISSUING DIVISION	Mechanical Design Team	DWG SIZE				
SCALE	1/2 UNIT mm	DWG No. 10057086				
NEXT ASSY	USED ON	SHEET 1 OF 1				
FINISH						

AMENDMENT			
SIGN	DESCRIPTION	MODIFIER	APPROVALS
			DATE