

100570015

DWG No.

AMENDMENT

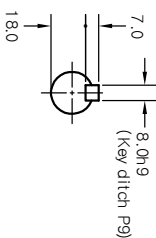
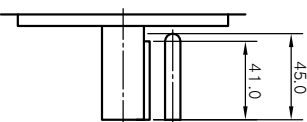
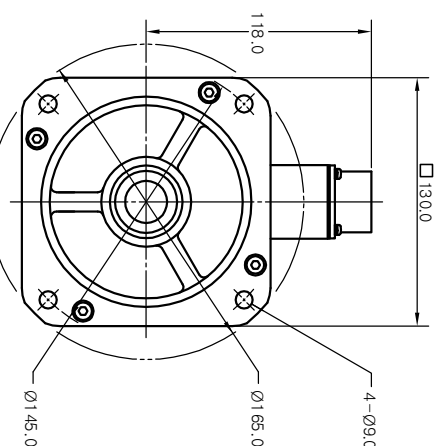
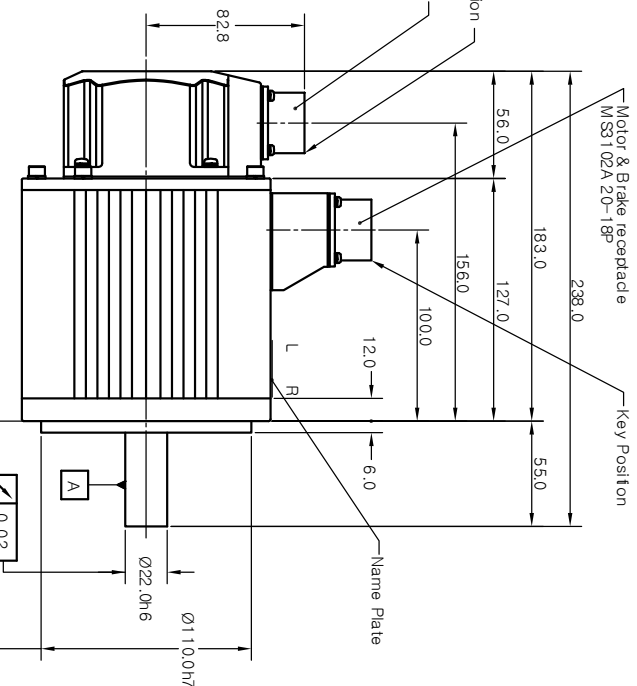
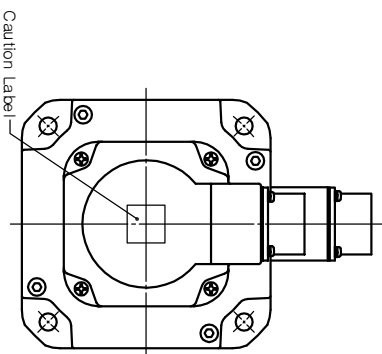
SIGN	DESCRIPTION	MODIFIER	APPROVALS	DATE

Relay encoder unit

PIN No	Inc.	Abs.	Abs.	Inc.
	15 Wires	9 Wires	15 Wires	9 Wires
A	A	/	A	A
B	A	/	A	A
C	B	/	B	B
D	B	/	B	B
E	Z	/	Z	Z
F	Z	/	Z	Z
G	0V	0V	0V	0V
H	DC+5V	DC+5V	DC+5V	DC+5V
J	FG	FG	FG	FG
K	U	SD	RX	FG
L	U	SD	RX	FG
M	V	/	/	/
N	V	/	/	/
P	W	/	/	/
R	W	/	/	/
S	W	BAT-	BAT-	/
T	/	BAT+	BAT+	/

Motor unit

PIN No.	Signal
A	/
B	W
C	/
D	F.G
E	F.G
F	U
G	BR
H	BR
I	V



A

B

C

D

A

B

C

D

ORIGINAL

ALTERNATIVE MATERIAL
 TOLERANCE LINEAR ANGLE
 MATERIAL HEAT TREATMENT
 FINISH

ITEM PART NAME QTY PART No DWG No.
 PART LISTS

KOMOTEK CO., LTD.

OUTLINE DRAWING

2004. 06. 29	3rd Angle System
Approved	Drawn
Checked	Kim Jungsam
Designed	Kim Jungsam
Issuing Division	Mechnical Design Team
Scale	1/2 UNIT mm
Scale	1/2 UNIT mm
USED ON	SC KANL-038D180
NEXT ASSY	
P/N	

DWG SIZE A2
 DWG No. 10057085
 SHEET 1 OF 1

1

2

3

4

5

6