

02075001

NO. G.W.C

AMENDMENT

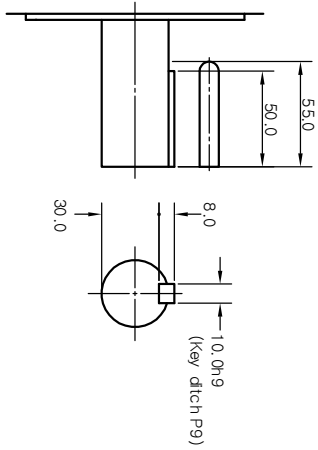
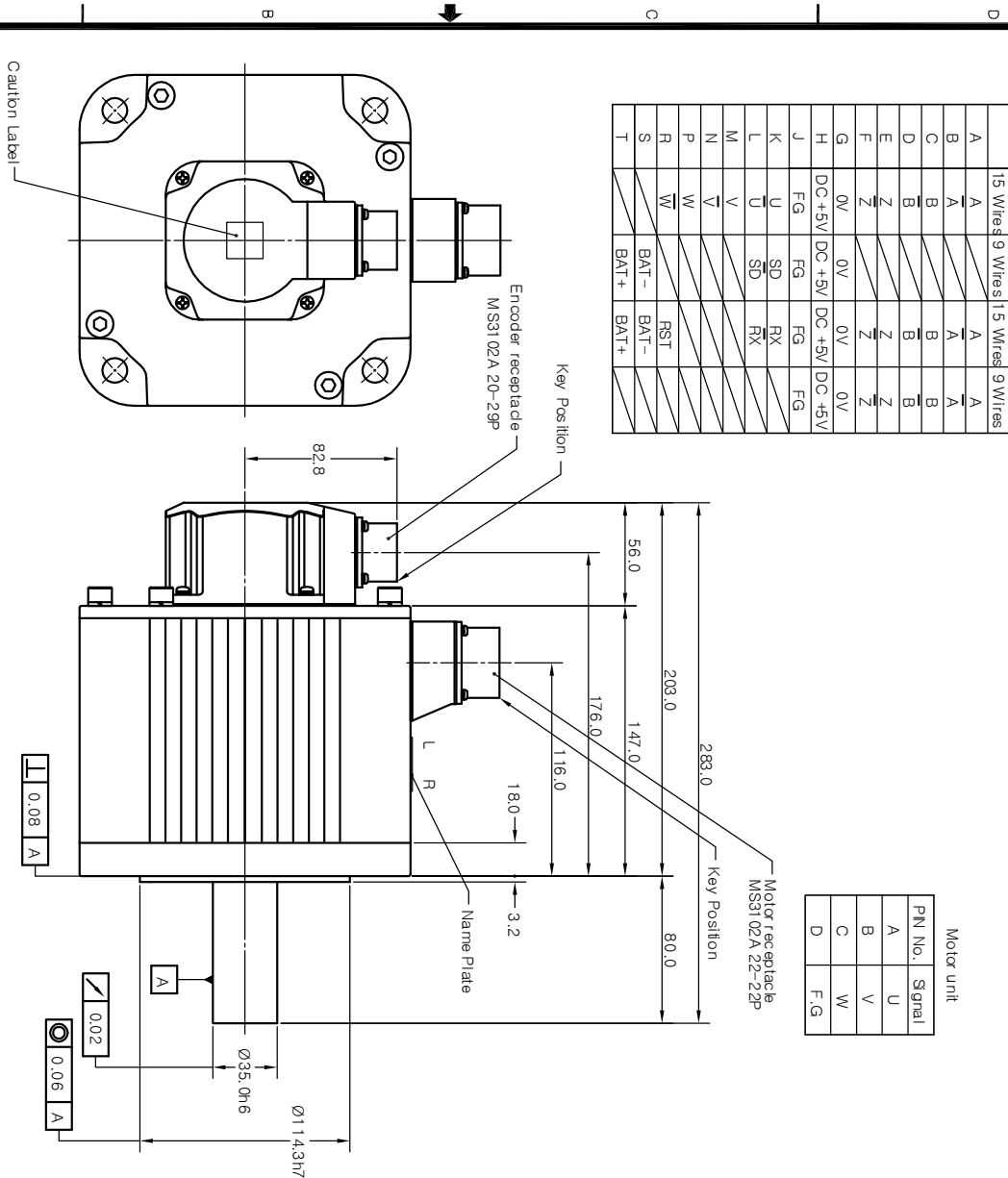
SIGN	DESCRIPTION	MODIFIER	APPROVALS	DATE
	143.0 → (138.0)	권미영		2005.03.15

Rotary encoder unit

PIN No	Inc.	Abs. (17 Bit)	Abs. (11 Bit)	Inc.
A	A	A	A	A
B	A	A	A	A
C	B	B	B	B
D	B	B	B	B
E	Z	Z	Z	Z
F	Z	Z	Z	Z
G	0V	0V	0V	0V
H	DC+5V	DC+5V	DC+5V	DC+5V
J	FG	FG	FG	FG
K	U	SD	RX	RX
L	U	SD	RX	RX
M	V			
N	V			
P	W			
R	W	BAT-	BAT-	BAT-
S	W	BAT-	BAT-	BAT-
T		BAT+	BAT+	BAT+

Motor unit

PIN No.	Signal
A	U
B	V
C	W
D	F.G



ORIGINAL	ALTERNATIVE MATERIAL	ITEM	PART NAME	QTY	PART No.	DWG No.
	TOLERANCE LINEAR ANGLE	PART LISTS				
		KOMOTEK CO., LTD.				
		OUTLINE DRAWING				
		DWG SIZE A2				
		DWG No. 10057070				
		SHEET 1 OF 1				
NEXT ASSY	USED ON	SCALE	1/2 UNIT mm			
SC MARK	FINISH					
HEAT TREATMENT	ISSUING DIVISION Mechanical Design Team					
MATERIAL	Designed KIM JUNGSAM					
DRIVEN	Checked KIM JUNGSAM					
APPROVED	3rd Angle System					
2004.05.04	2004.05.04					