

10057071

NO. G.W.C

AMENDMENT

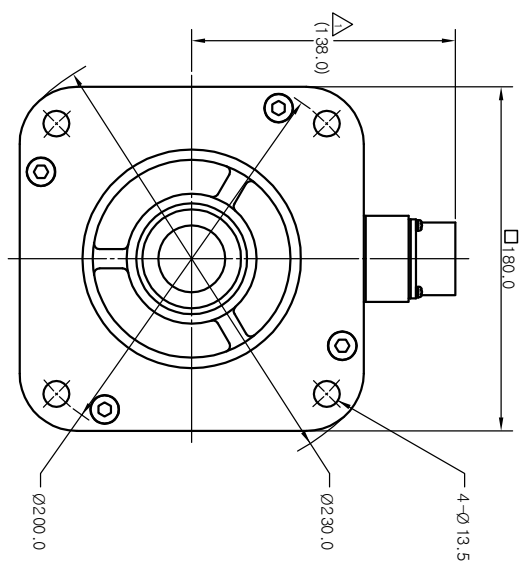
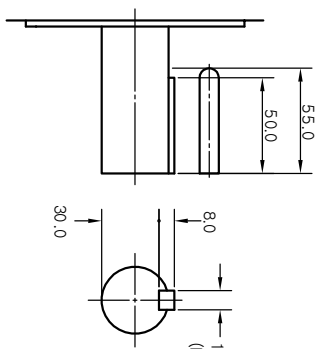
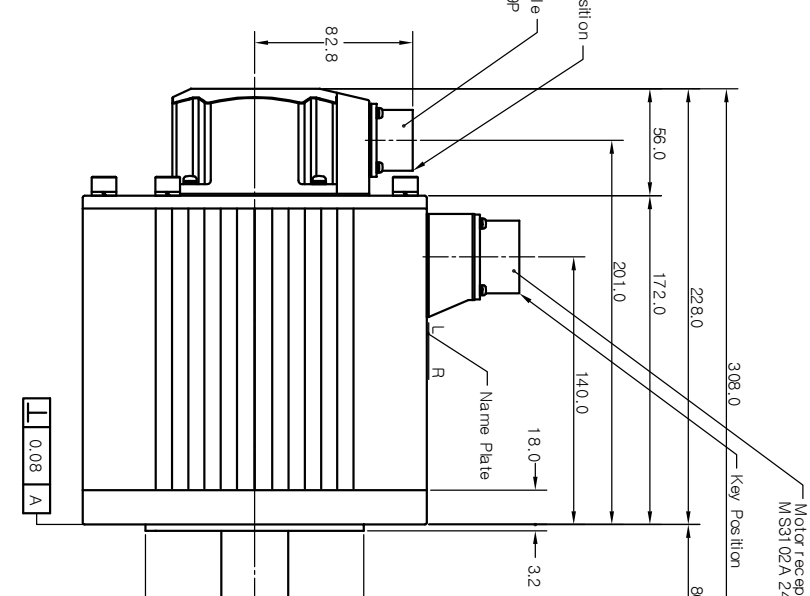
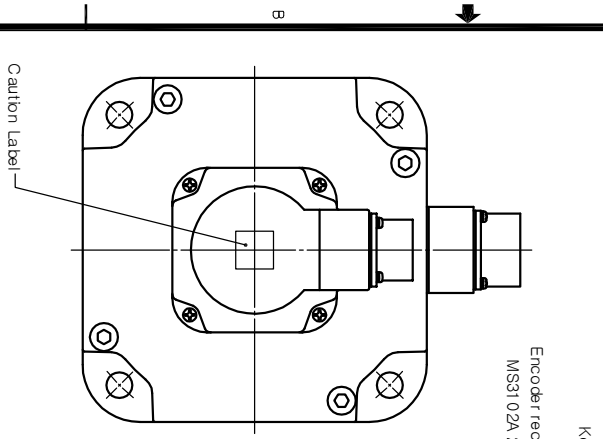
SIGN	DESCRIPTION	MODIFIER	APPROVALS	DATE
△	143.0 → (138.0)	권미영		2005.03.15

Rotary encoder unit

PIN No	Inc.	Abs. (17 Bit)	Abs. (11 Bit)	Inc.
	15 Wires	9 Wires	15 Wires	9 Wires
A	A	A	A	A
B	A	A	A	A
C	B	B	B	B
D	B	B	B	B
E	Z	Z	Z	Z
F	Z	Z	Z	Z
G	0V	0V	0V	0V
H	DC+5V	DC+5V	DC+5V	DC+5V
J	FG	FG	FG	FG
K	U	SD	RX	RX
L	U	SD	RX	RX
M	V			
N	V			
P	W			
R	W	BAT-	BAT-	BAT-
S	W	BAT-	BAT-	BAT-
T		BAT+	BAT+	BAT+

Motor unit

PIN No.	Signal
A	BR
B	BR
C	U
D	U
E	V
F	W
G	F.G
H	F.G
I	



ORIGINAL	ALTERNATIVE MATERIAL	ITEM	PART NAME	QTY	PART No.	DWG No.

TOLERANCE	ANGLE	APPROVED	3rd Angle System
LINEAR		Checked	
		Drawn	
		Designed	
		ISSUING DIVISION	
		Mechanical Design Team	
		SCALE 1/2 UNIT mm	
		WT.	

**KOMOTEK CO., LTD.**

**OUTLINE DRAWING**  
(KANK-20B □ 1BD)

DWG SIZE **A2** DWG No. 10057071 SHEET 1 OF 1