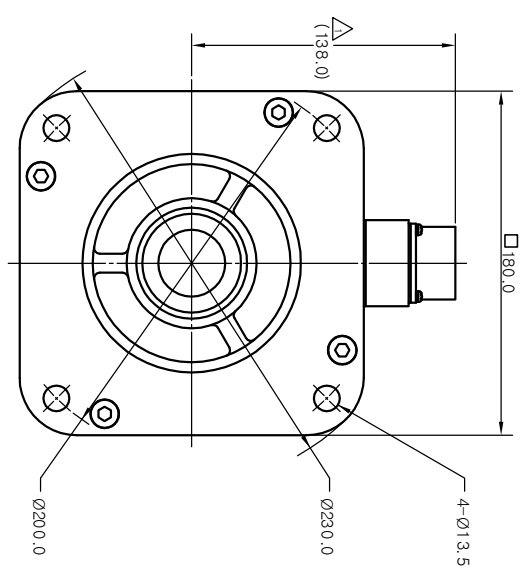
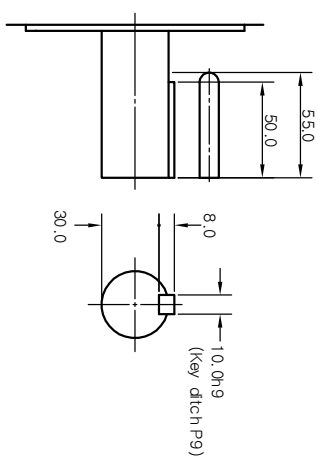
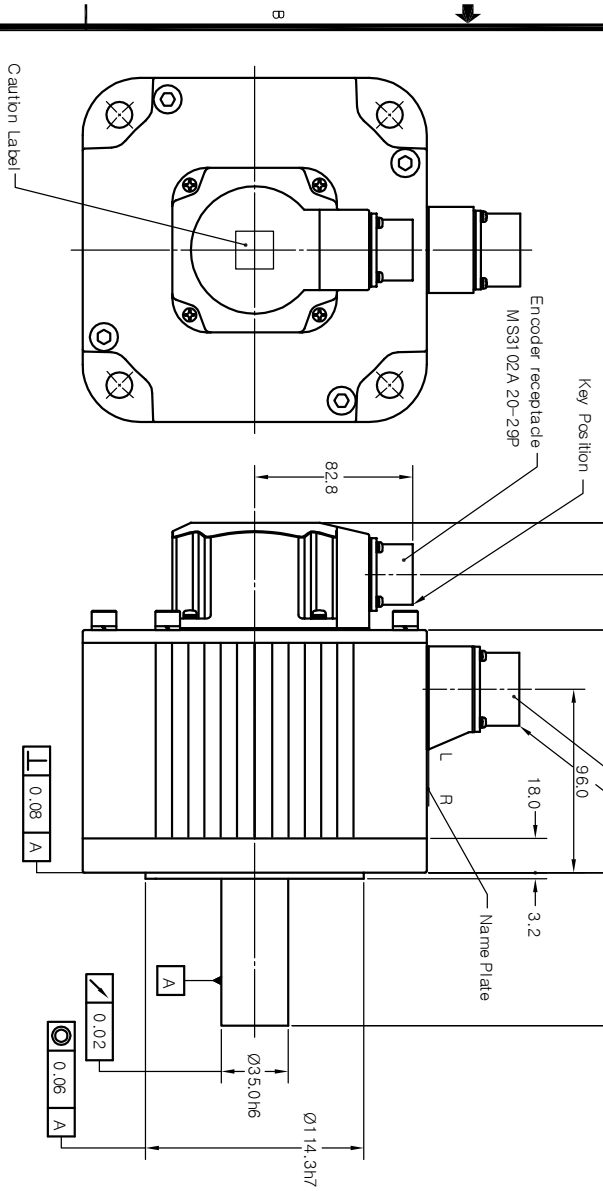


Rotary encoder unit

PIN No	Inc.	Abs. (17 Bit)	Abs. (11 Bit)	Inc.
A	A	A	A	A
B	A	A	A	A
C	B	B	B	B
D	B	B	B	B
E	Z	Z	Z	Z
F	Z	Z	Z	Z
G	0V	0V	0V	0V
H	DC+5V	DC+5V	DC+5V	DC+5V
J	FG	FG	FG	FG
K	U	SD	RX	RX
L	U	SD	RX	RX
M	V			
N	V			
P	W			
R	W	BAT-	BAT-	BAT-
S	W	BAT-	BAT-	BAT-
T		BAT+	BAT+	BAT+

Motor unit

PIN No.	Signal
A	U
B	V
C	W
D	FG



AMENDMENT

SIGN	DESCRIPTION	MODIFIER	APPROVALS	DATE
△	143.0 → (138.0)	권미영		2005.03.15

ORIGINAL	ALTERNATIVE MATERIAL	ITEM	PART NAME	QTY	PART No.	DWG.No.
TOLERANCE LINEAR	ANGLE	2004.05.04	3rd Angle System			
MATERIAL	HEAT TREATMENT	Approved	Kim Jungsam	Drawn	Kim Jungsam	
ISSUING DIVISION	Mechanical Design Team	Designed	Kim Jungsam	Checked		
SCALE	1/2 UNIT mm	WT.				
DWG SIZE	A2	DWG No.	10057068	SHEET	1 OF 1	

PART LISTS

KOMOTEK CO., LTD.

OUTLINE DRAWING

(KANK-12B □ 1ND)