

10057069

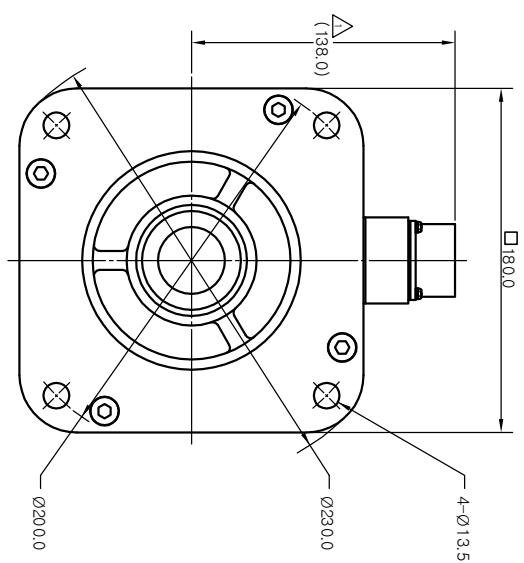
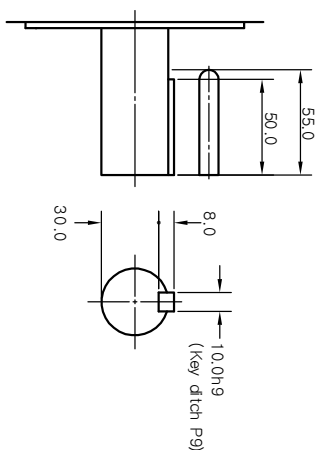
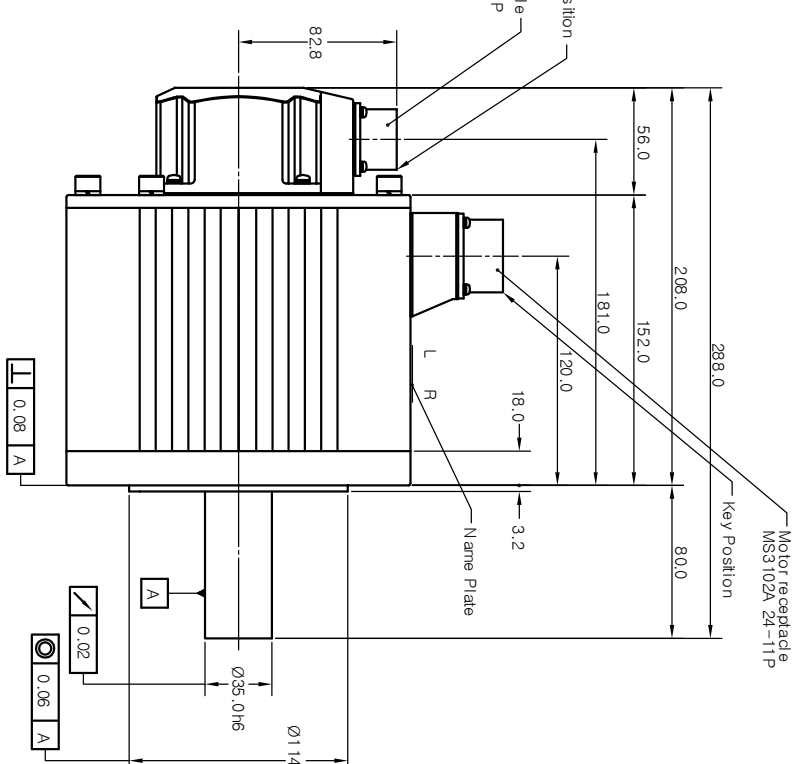
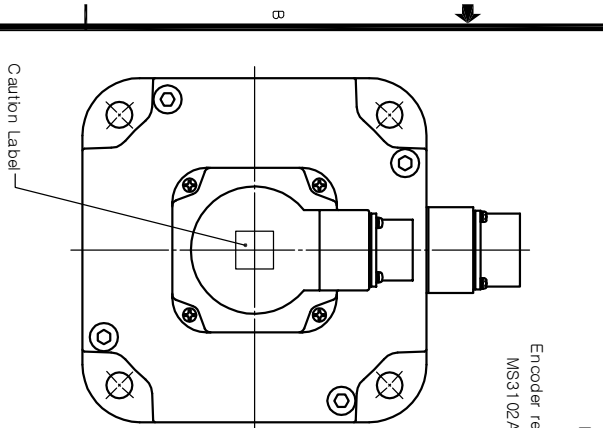
NO. G.W.G

Rotary encoder unit

| PIN No | Inc. | Abs. | Abs. | Inc. |
|--------|----------|---------|--------|---------|
| | 15 Wires | 9 Wires | 11 Bit | 9 Wires |
| A | A | A | A | A |
| B | A | A | A | A |
| C | B | B | B | B |
| D | B | B | B | B |
| E | Z | Z | Z | Z |
| F | Z | Z | Z | Z |
| G | 0V | 0V | 0V | 0V |
| H | DC+5V | DC+5V | DC+5V | DC+5V |
| J | FG | FG | FG | FG |
| K | U | SD | FX | FX |
| L | U | SD | FX | FX |
| M | V | V | V | V |
| N | V | V | V | V |
| P | W | W | RST | RST |
| R | W | W | RST | RST |
| S | W | BAT- | BAT- | BAT- |
| T | W | BAT+ | BAT+ | BAT+ |

Motor unit

| PIN No. | Signal |
|---------|--------|
| A | BR |
| B | BR |
| C | U |
| D | V |
| E | W |
| F | W |
| G | F.G |
| H | F.G |
| I | F.G |



| SIGN | DESCRIPTION | MODIFIER | APPROVALS | DATE |
|------|-----------------|----------|-----------|------------|
| △ | 143.0 → (138.0) | 권미영 | | 2005.03.15 |

AMENDMENT

| ITEM | PART NAME | QTY | PART No. | DWG.No. |
|-------------------|-----------|-----|----------|---------|
| PART LISTS | | | | |
| KOMOTEK CO., LTD. | | | | |

| | | | | | | | | | | | | | |
|----------|------------------|-------|------------|------------------|----------|-------------|-------|-------------|----------|------------------------|----------|----------|--------|
| ORIGINAL | TOLERANCE LINEAR | ANGLE | 2003.05.04 | 3rd Angle System | Approved | Kim Jungsam | Drawn | Kim Jungsam | DESIGNED | Mechanical Design Team | DWG SIZE | DWG No. | SHEET |
| | | | | | | | | | | | A2 | 10057069 | 1 OF 1 |

OUTLINE DRAWING