

99075001

DWG No.

AMENDMENT

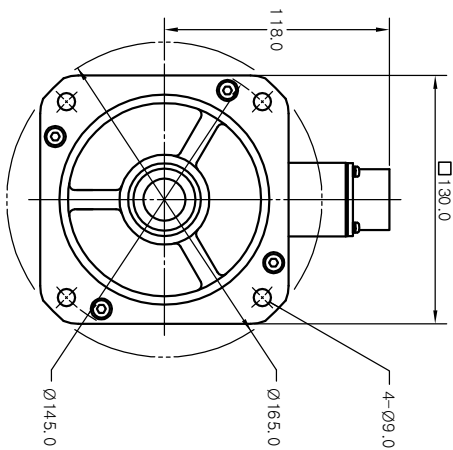
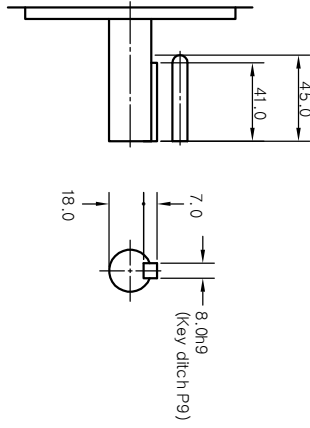
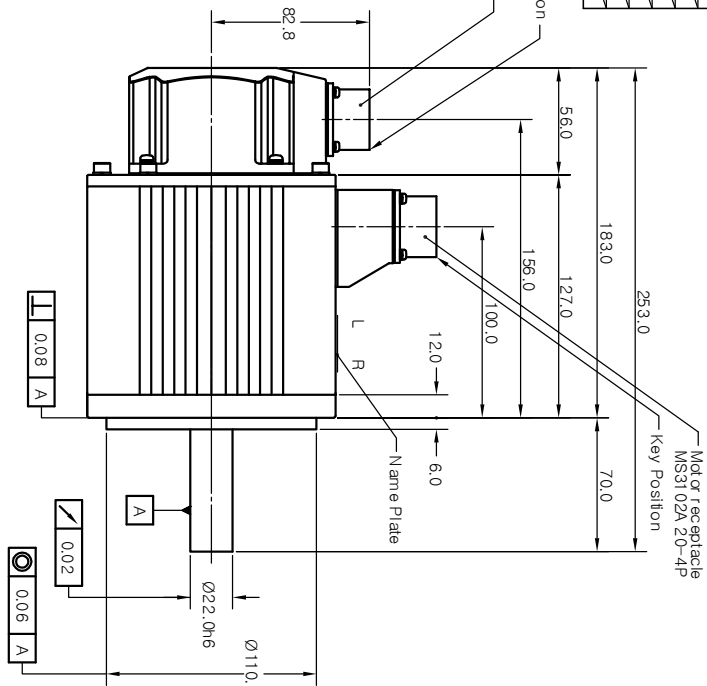
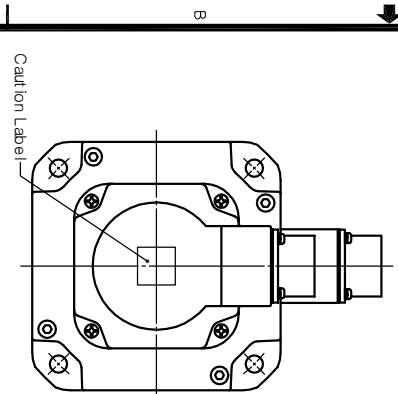
SIGN	DESCRIPTION	MODIFIER	APPROVALS	DATE
------	-------------	----------	-----------	------

Rotary encoder unit

PIN No	Inc. (17 bit)	Abs. (11 bit)	Abs. (11 bit)	h.c.
	15 Wires	9 Wires	15 Wires	9 Wires
A	A	A	A	A
B	A	A	A	A
C	B	B	B	B
D	B	B	B	B
E	Z	Z	Z	Z
F	Z	Z	Z	Z
G	0V	0V	0V	0V
H	DC+5V	DC+5V	DC+5V	DC+5V
J	FG	FG	FG	FG
K	U	SD	RX	FG
L	U	SD	RX	FG
M	V	SD	RX	FG
N	V	SD	RX	FG
P	W	RST	BAT-	BAT-
R	W	BAT-	BAT-	BAT-
S	W	BAT+	BAT+	BAT+
T		BAT+	BAT+	BAT+

Motor unit

PIN No.	Signal
A	U
B	V
C	W
D	FG



ORIGINAL	ALTERNATIVE MATERIAL	ITEM	PART NAME	QTY	PART No.	DWG No.
TOLERANCE LINEAR ANGLE		2004.05.04				
MATERIAL		3rd Angle System				
HEAT TREATMENT		Approved				
		Drawn Kfm Jungsam				
		Designed Kfm Jungsam				
		ISSUING DIVISION Mechanical Design Team				
NEXT ASSY		SCALE 1/2 UNIT mm				
USED ON		WT.				
FINISH						

PART LISTS

KOMOTEK CO., LTD.

OUTLINE DRAWING

DWG SIZE A2
DWG No. 10057066
SHEET 1 OF 1