

7907001

09/GWC

A MENDMENT

SIGN	DESCRIPTION	MODIFIER	APPROVALS	DATE

Rotary encoder unit

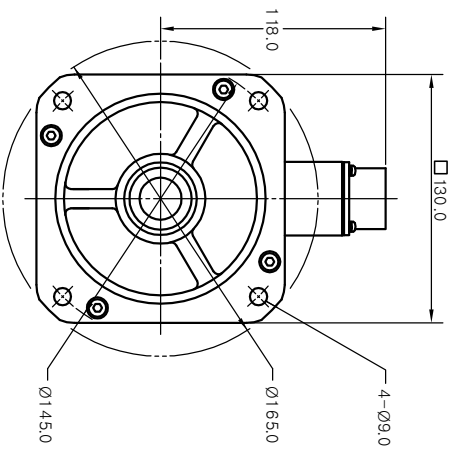
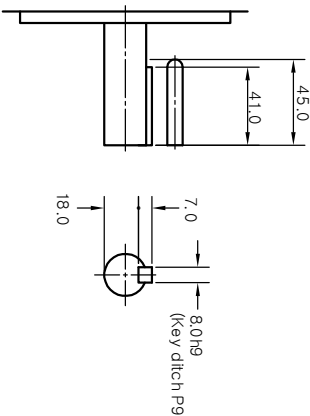
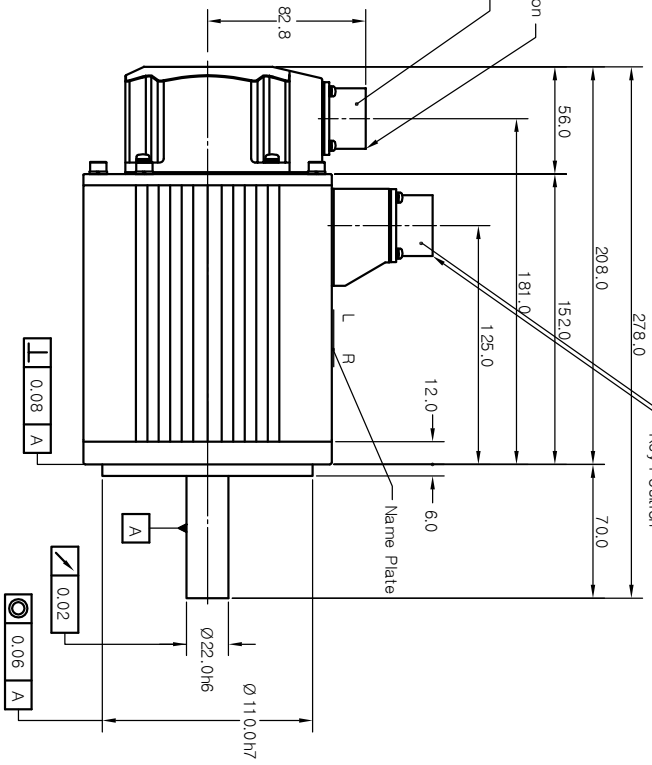
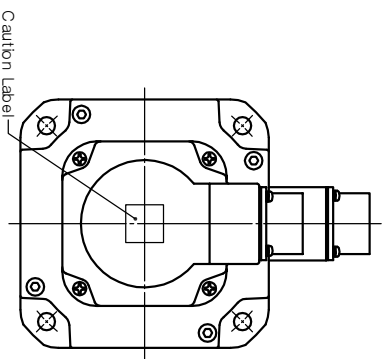
PIN No	Inc.	Abs. (17 bit)	Abs. (11 bit)	Inc.
15 Wires	9 Wires	15 Wires	9 Wires	
A	A	A	A	A
B	A	A	A	A
C	B	B	B	B
D	Z	Z	Z	Z
E	Z	Z	Z	Z
F	Z	Z	Z	Z
G	0V	0V	0V	0V
H	DC +5V	DC +5V	DC +5V	DC +5V
J	FG	FG	FG	FG
K	U	SD	FX	
L	U	SD	FX	
M	V			
N	V			
P	W			
R	W	RST		
S		BAT-	BAT-	
T		BAT+	BAT+	

Motor unit

PIN No.	Signal
A	W
B	
C	
D	F.G
E	F.G
F	U
G	BR
H	BR
I	V

Motor & Brake receptacle

MS3102A 20-18P



A

B

C

D

1

2

3

4

5

6

ORIGINAL	TOLERANCE LINEAR	ANGLE	ITEM	PART NAME	QTY	PART No.	DWG No.

ALTERNATIVE MATERIAL	ITEM	PART NAME	QTY	PART No.	DWG No.

PART LISTS

KOMOTEK CO., LTD.

OUTLINE DRAWING

APPROVED	2004.05.04	3rd Angle System	ISSUING DIVISION	DWG SIZE	DWG No.	10057067
Drawn	Kim Jungsam		Mechanical Design Team	A2		
Designed	Kim Jungsam					
HEAT TREATMENT						
FINISH						
USED ON						
SC KAK-098 □ 18 □						
NEXT ASSY						
P/N						

1

B

C

D

2

3

4

5

6