

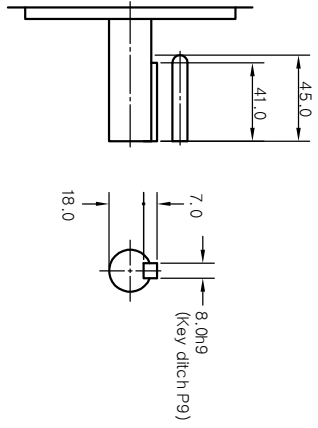
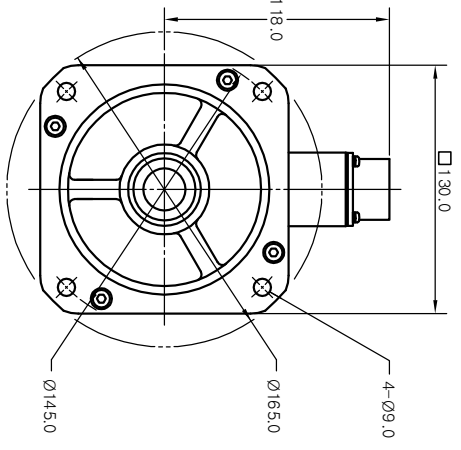
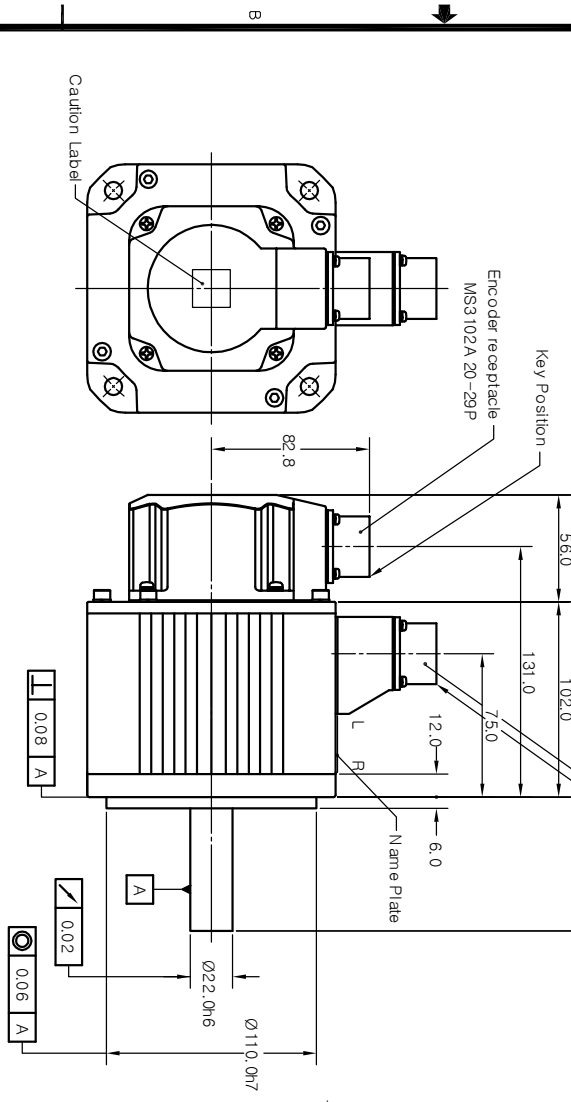
SIGN	DESCRIPTION	MODIFIER	APPROVALS	DATE
------	-------------	----------	-----------	------

Relay encoder unit

PN No	Inc.	Abs. (17 bit)	Abs. (11 bit)	Inc.
	15 Wires	9 Wires	15 Wires	9 Wires
A	A	A	A	A
B	A	A	A	A
C	B	B	B	B
D	B	B	B	B
E	Z	Z	Z	Z
F	Z	Z	Z	Z
G	0V	0V	0V	0V
H	DC +5V	DC +5V	DC +5V	DC +5V
J	FG	FG	FG	FG
K	U	SD	RX	FG
L	U	SD	RX	FG
M	V	V	FX	
N	V	V	FX	
P	W	W	RST	
R	W	W	RST	
S	W	BAT-	BAT-	
T	W	BAT+	BAT+	

Motor unit

Pin No.	Signal
A	U
B	V
C	W
D	FG



ORIGINAL	ALTERNATIVE MATERIAL	ITEM	PART NAME	QTY	PART No.	DWG No.
TOLERANCE LINEAR ANGLE		PART LISTS				
HEAT TREATMENT FINISH		KOMOTEK CO., LTD.				
NEXT ASSY USED ON		PART NAME				
SC KANK-08B IN		QTY				
		PART No.				
		DWG No.				
		SCALE 1/2 UNIT mm WT.				
		DVG SIZE DWG No. 10057064				
		SHEET 1 OF 1				

OUTLINE DRAWING
(KANK-08B IN)

KOMOTEK CO., LTD.

ISSUING DIVISION Mechanical Design Team

SCALE 1/2 UNIT mm WT.

DVG SIZE DWG No. 10057064

SHEET 1 OF 1