

10057065

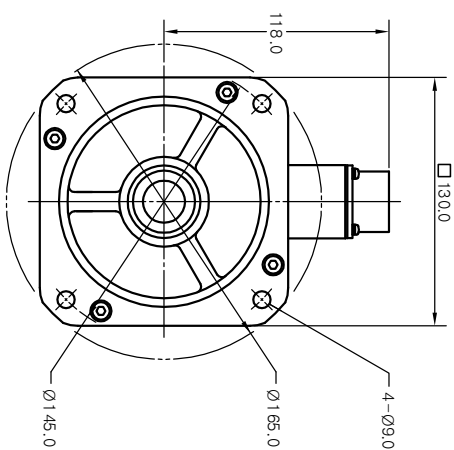
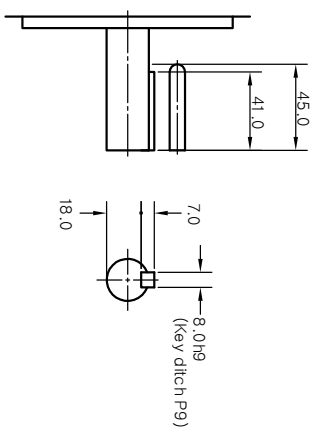
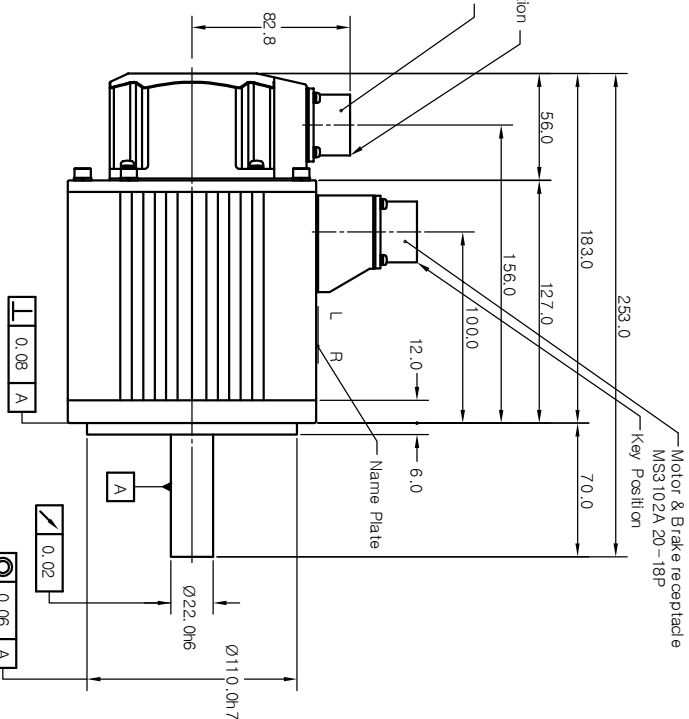
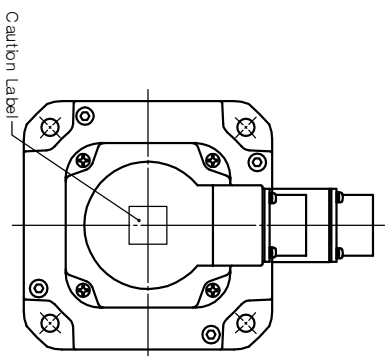
No. G.W.C

Rotary encoder unit

PIN No	Inc.	Abs. (17 bit)	Abs. (11 bit)	Inc.
A	A	A	A	A
B	A	A	A	A
C	B	B	B	B
D	B	B	B	B
E	Z	Z	Z	Z
F	Z	Z	Z	Z
G	0V	0V	0V	0V
H	DC+5V	DC+5V	DC+5V	DC+5V
J	FG	FG	FG	FG
K	U	SD	FX	FX
L	U	SD	FX	FX
M	V			
N	V			
P	W			
R	W			
S	BAT-	BAT-	BAT-	BAT-
T	BAT+	BAT+	BAT+	BAT+

Motor unit

PIN No.	Signal
A	A
B	W
C	B
D	F.G
E	F.G
F	U
G	BR
H	BR
I	V



ORIGINAL	ALTERNATIVE MATERIAL	ITEM	PART NAME	QTY	PART No.	DWG No.
	TOLERANCE LINEAR ANGLE		2004.05.04			
	MATERIAL HEAT TREATMENT FINISH		3rd Angle System			
			Approved			
			Drawn			
			Designed			
			ISSUING DIVISION			
			Mechanical Design Team			
			SCALE 1/2 UNIT mm			
			WT.			

PART LISTS

KOMOTEK CO., LTD.

OUTLINE DRAWING

DWG SIZE A2  
 DWG No. 10057065  
 SHEET 1 OF 1

AMENDMENT

SIGN	DESCRIPTION	MODIFIER	APPROVALS	DATE