

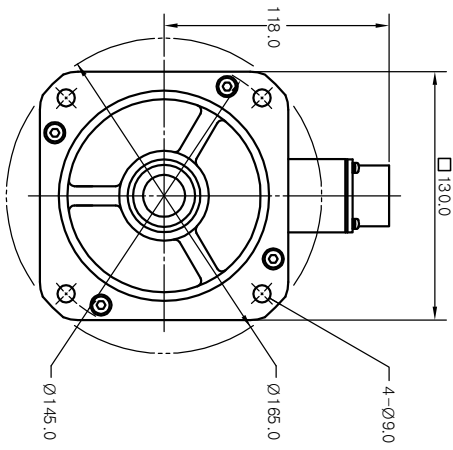
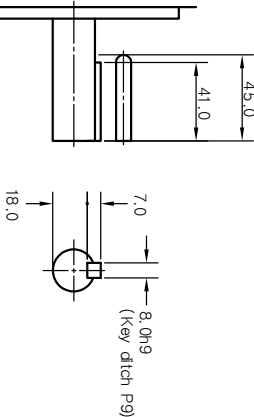
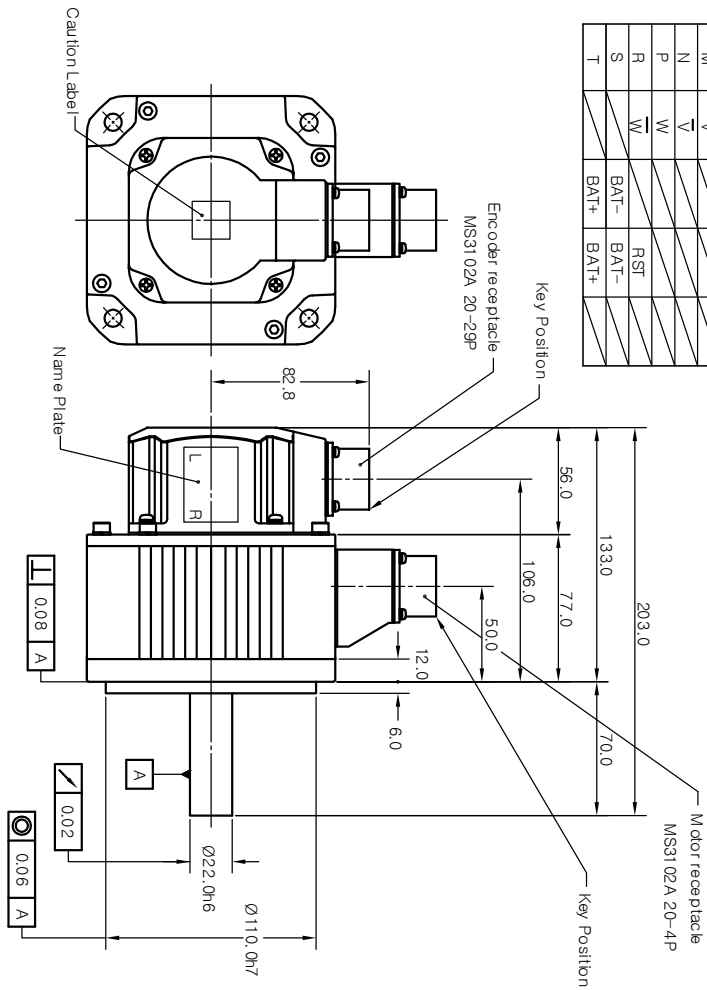
SIGN	DESCRIPTION	MODIFIER	APPROVALS	DATE

Relay encoder unit

PIN No	Inc. (17 bit)	Abs. (11 bit)	Inc. (9 Wires)
A	A	A	A
B	A	A	A
C	B	B	B
D	B	B	B
E	Z	Z	Z
F	Z	Z	Z
G	0V	0V	0V
H	DC+5V	DC+5V	DC+5V
J	FG	FG	FG
K	U	SD	RX
L	U	SD	RX
M	V	SD	RX
N	V	SD	RX
P	W	SD	RX
R	W	SD	RX
S	W	SD	RX
T	BAT-	BAT+	BAT+

Motor unit

PIN No.	Signal
A	U
B	V
C	W
D	F.G



ORIGINAL	ALTERNATIVE MATERIAL	ITEM	PART NAME	QTY	PART No.	DWG.No.
	TOLERANCE LINEAR ANGLE					
			2004. 05. 04			
			3rd Angle System			
	MATERIAL		Approved			
	HEAT TREATMENT		Checked			
			Drawn			
			Designed			
			ISSUING DIVISION			
			Mechanical Design Team			
			SCALE 1/2 UNIT mm			
			WT.			

PART LISTS

KOMOTEK CO., LTD.

PART NAME
OUTLINE DRAWING
(KANK-03B □ IN□)

DWG SIZE DWG No. 10057062