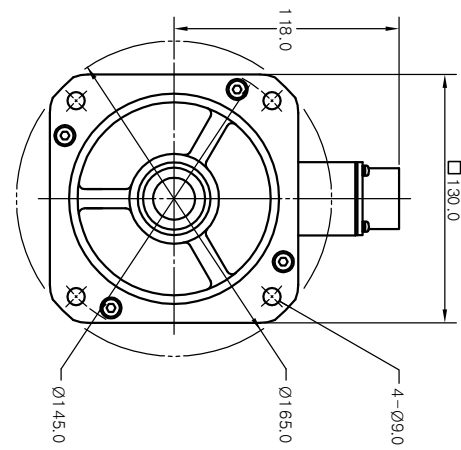
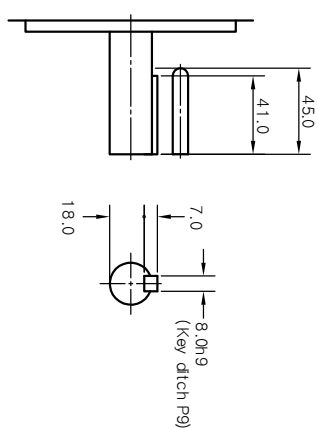
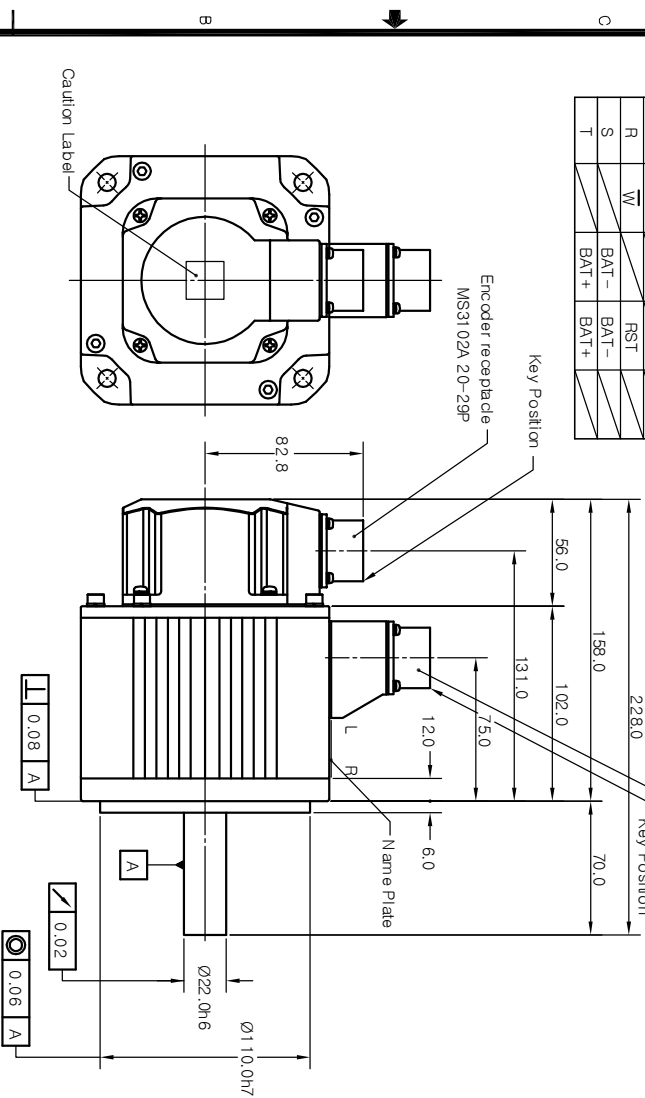


Rotary encoder unit

PIN No	h.c. (17 bit)		Abs. (11 bit)		Abs.		Inc.	
	15 Wires	9 Wires	15 Wires	9 Wires	15 Wires	9 Wires	15 Wires	9 Wires
A	A	A	A	A	A	A	A	A
B	A	A	A	A	A	A	A	A
C	B	B	B	B	B	B	B	B
D	B	B	B	B	B	B	B	B
E	Z	Z	Z	Z	Z	Z	Z	Z
F	Z	Z	Z	Z	Z	Z	Z	Z
G	0V	0V	0V	0V	0V	0V	0V	0V
H	DC+5V	DC+5V	DC+5V	DC+5V	DC+5V	DC+5V	DC+5V	DC+5V
J	FG	FG	FG	FG	FG	FG	FG	FG
K	U	SD	FX	FX	FX	FX	FX	FX
L	U	SD	RX	RX	RX	RX	RX	RX
M	V	V						
N	V	V						
P	W	W	RST	RST	RST	RST	RST	RST
R	W	W	BAT-	BAT-	BAT-	BAT-	BAT-	BAT-
S	W	W	BAT+	BAT+	BAT+	BAT+	BAT+	BAT+
T								

Motor unit

PIN No.	Signal
A	Signal
B	W
C	W
D	F.G
E	F.G
F	F.G
G	U
H	BR
I	BR
V	BR



ORIGINAL	ALTERNATIVE MATERIAL	ITEM	PART NAME	QTY	PART No.	DWG No.
		PART LISTS				
		KOMOTEK CO., LTD.				
		OUTLINE DRAWING				
		(KANIK-03B01B0)				
		DWG SIZE A2				
		DWG No. 10057001				
		SHEET 1 OF 1				
		SCALE 1/2 UNIT mm				
		ISSUING DIVISION Mechanical Design Team				
		Designed Kim Jungsam				
		Drawn Kim Jungsam				
		Checked Kim Jungsam				
		Approved Kim Jungsam				
		TOLERANCE LINEAR ANGLE				
		HEAT TREATMENT				
		FINISH				
		USED ON				
		NEXT ASSY				
		P/N				

AMENDMENT			
SIGN	DESCRIPTION	MODIFIER	APPROVALS
DATE			