

63025001

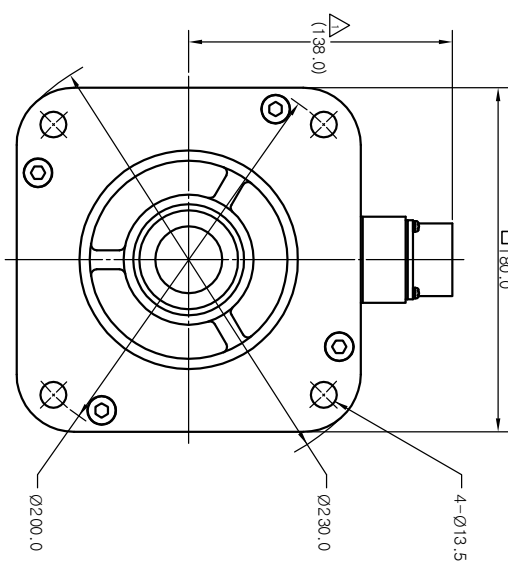
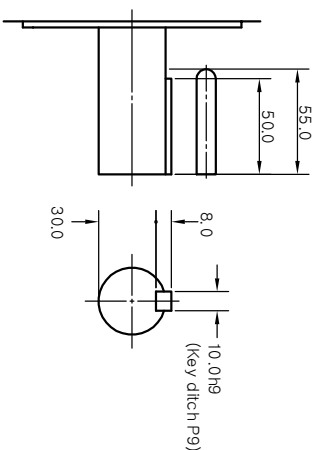
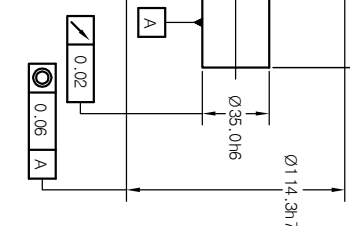
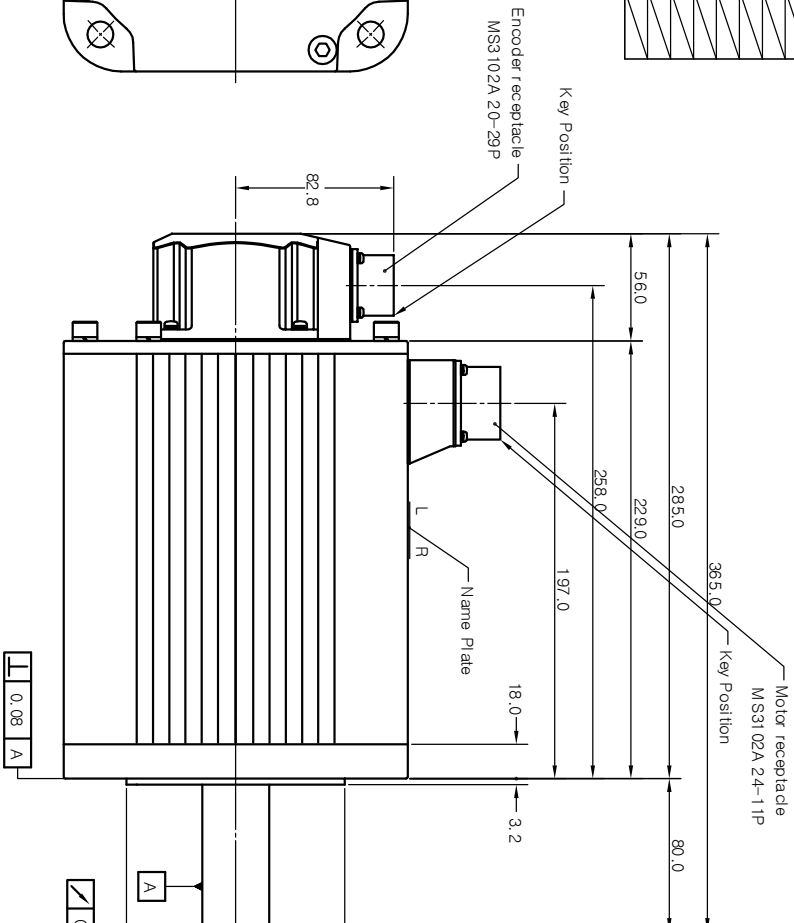
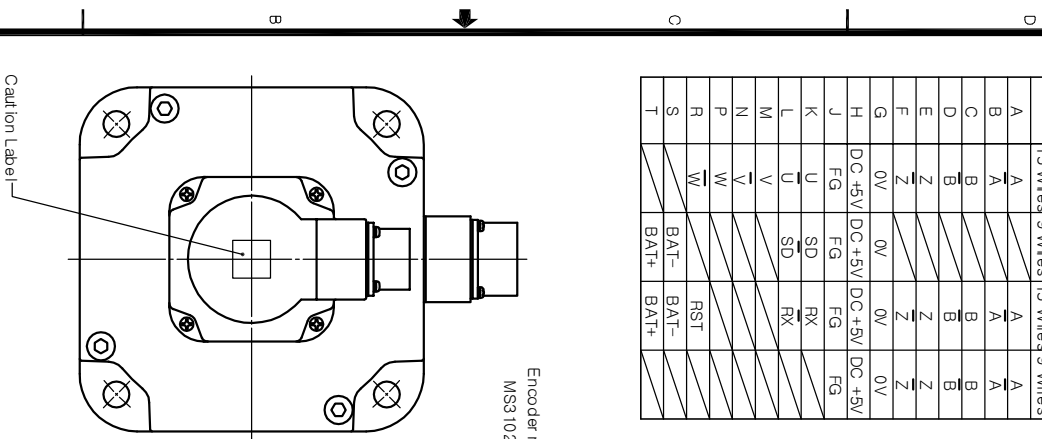
NO. G.W.G

Relay encoder unit

PIN No	Abs. (17 bit) (11 bit)		Inc.
	Inc.	Abs.	
A	A	A	A
B	A	A	A
C	B	B	B
D	B	B	B
E	Z	Z	Z
F	Z	Z	Z
G	0V	0V	0V
H	DC +5V	DC +5V	DC +5V
J	FG	FG	FG
K	U	SD	RX
L	U	SD	FX
M	V		
N	V		
P	W		
R	W		RST
S	BAT-	BAT-	BAT-
T	BAT+	BAT+	BAT+

Motor unit

PIN No.	Signal
A	BR
B	BR
C	U
D	U
E	V
F	W
G	F.G
H	F.G
I	



SIGN	DESCRIPTION	MODIFIER	APPROVALS	DATE
A	143.0	(138.0)	권미영	2005.03.15

AMENDMENT

ITEM	PART NAME	QTY	PART No.	DWG No.
PART LISTS				
KOMOTEK CO., LTD.				

ORIGINAL TOLERANCE LINEAR ANGLE

APPROVED: 3rd Angle System

DRAWN: Kim Jungnam

DESIGNED: Kim Jungnam

ISSUING DIVISION: Mechanical Design Team

SCALE: 1/2 UNIT mm

DWG SIZE: A2

DWG No.: 10057039

SHEET 1 OF 1

OUTLINE DRAWING