

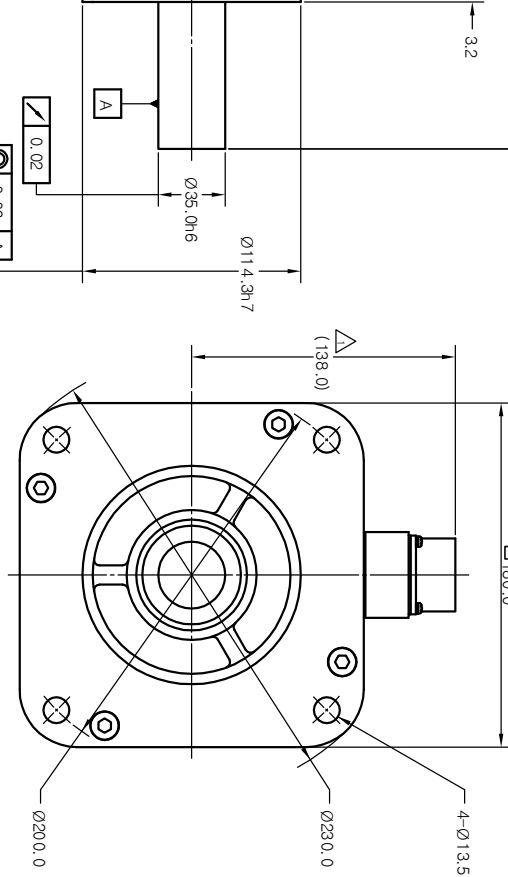
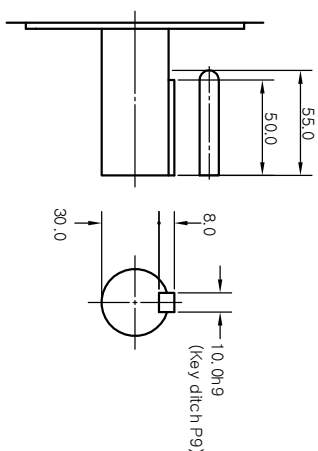
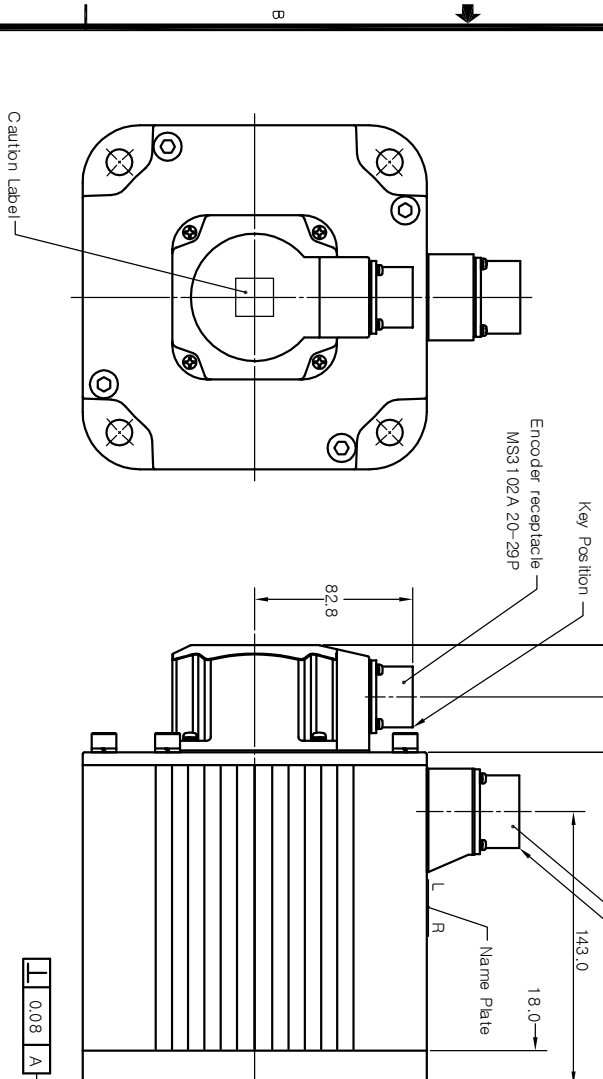
10057036

04.G.WG

Rotary encoder unit

PIN No	Abs. (17 bit) (11 bit)		Inc.
	15 Wires	9 Wires	
A	A	A	A
B	A	A	A
C	B	B	B
D	B	B	B
E	Z	Z	Z
F	Z	Z	Z
G	0V	0V	0V
H	DC +5V	DC +5V	DC +5V
J	FG	FG	FG
K	U	SD	RX
L	U	SD	RX
M	V	V	RST
N	V	V	RST
P	W	W	BAT+
R	W	W	BAT+
S	W	W	BAT+
T			

PIN No.	Signal
A	U
B	V
C	W
D	FG



SIGN	DESCRIPTION	MODIFIER	APPROVALS	DATE
△	143.0 → (138.0)	권미영		2005.03.15

AMENDMENT

ALTERNATIVE MATERIAL	ITEM	PART NAME	QTY	PART No.	DWG No.

PART LISTS

KOMOTEK CO., LTD.

OUTLINE DRAWING

ORIGINAL	TOLERANCE LINEAR	ANGLE	2003.08.20	3rd Angle System	Approved	Kim Jungnam	DWG SIZE	DWG No.	10057036
	MATERIAL	HEAT TREATMENT	Drawn	Kim Jungnam	Designed	Mechanical Design Team	ISSUING DIVISION		
NEXT ASSY	USED ON	FINISH	SCALE	1/2 UNIT mm	WT.				

A2

SHEET 1 OF 1