

23025001

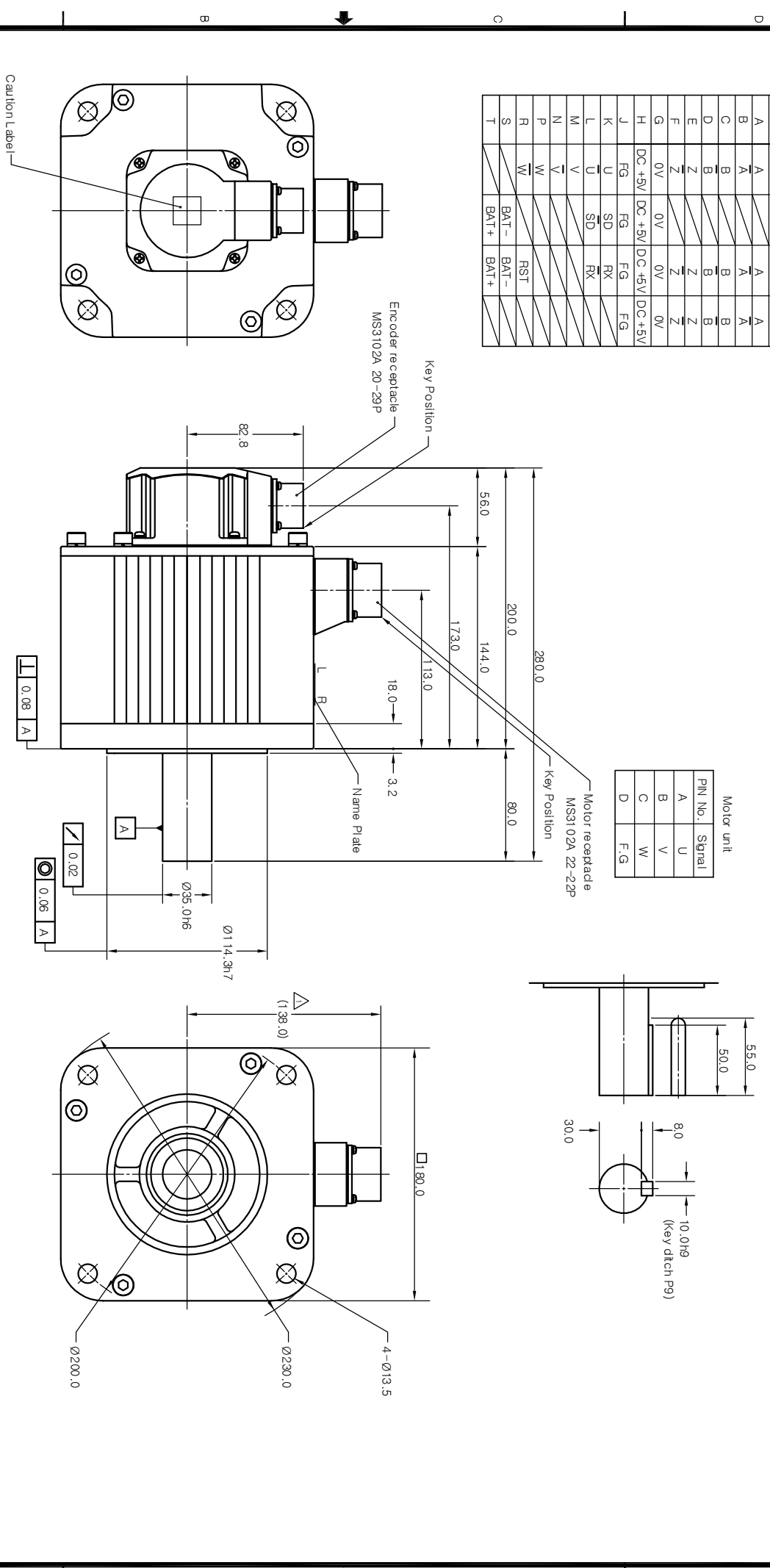
04/G.W.C

Rotary encoder unit

Pin No	Inc.	Abs. (17 bit)	Abs. (11 bit)	Inc.
	15 Wires	9 Wires	15 Wires	9 Wires
A	A	A	A	A
B	A	A	A	A
C	B	B	B	B
D	B	B	B	B
E	Z	Z	Z	Z
F	Z	Z	Z	Z
G	0V	0V	0V	0V
H	DC +5V	DC +5V	DC +5V	DC +5V
J	FG	FG	FG	FG
K	U	SD	FX	FX
L	U	SD	FX	FX
M	V	V	V	V
N	V	V	V	V
P	W	W	W	W
R	W	W	RST	RST
S	W	BAT-	BAT-	BAT+
T	W	BAT+	BAT+	BAT+

Motor unit

Pin No.	Signal
A	U
B	V
C	W
D	F.G



AMENDMENT		DATE
SIGN	DESCRIPTION	MODIFIER
143.0	(138.0)	권미영
APPROVALS		DATE
		2005.03.15

ITEM	PART NAME	QTY	PART No.	DWG.No.
PART LISTS				
KOMOTEK CO., LTD.				

ORIGINAL	TOLERANCE	ANGLE	APPROVED	ISSUING DIVISION	DWG SIZE
LINEAR	—	—	3rd Angle System	Mechanical Design Team	A2
MATERIAL	HEAT TREATMENT	FINISH	Drawn	Kim Jungsam	DWG No. 10057032
—	—	—	Checked	Kim Jungsam	SHEET 1 OF 1
—	—	—	Designed	Kim Jungsam	
NEXT ASSY	USED ON	SCALE	SCALE	1/2 UNIT mm	
—	—	—	SCALE	1/2 UNIT mm	