

10057033

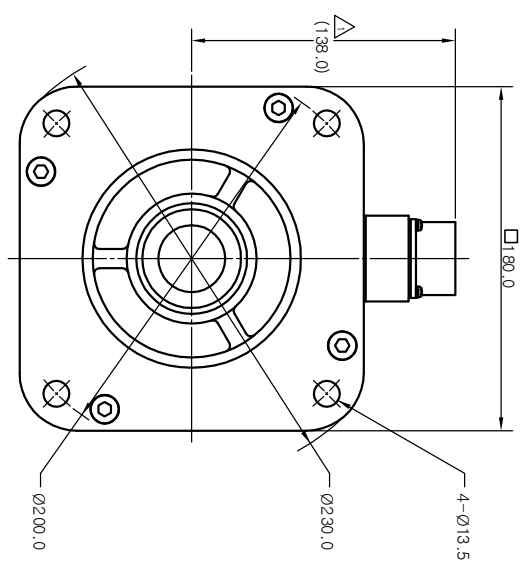
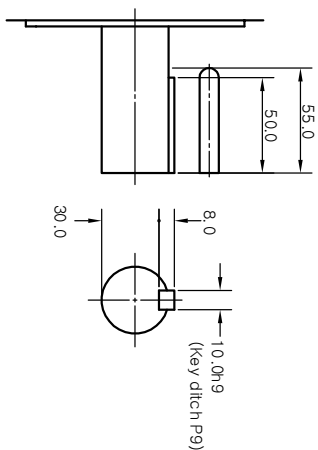
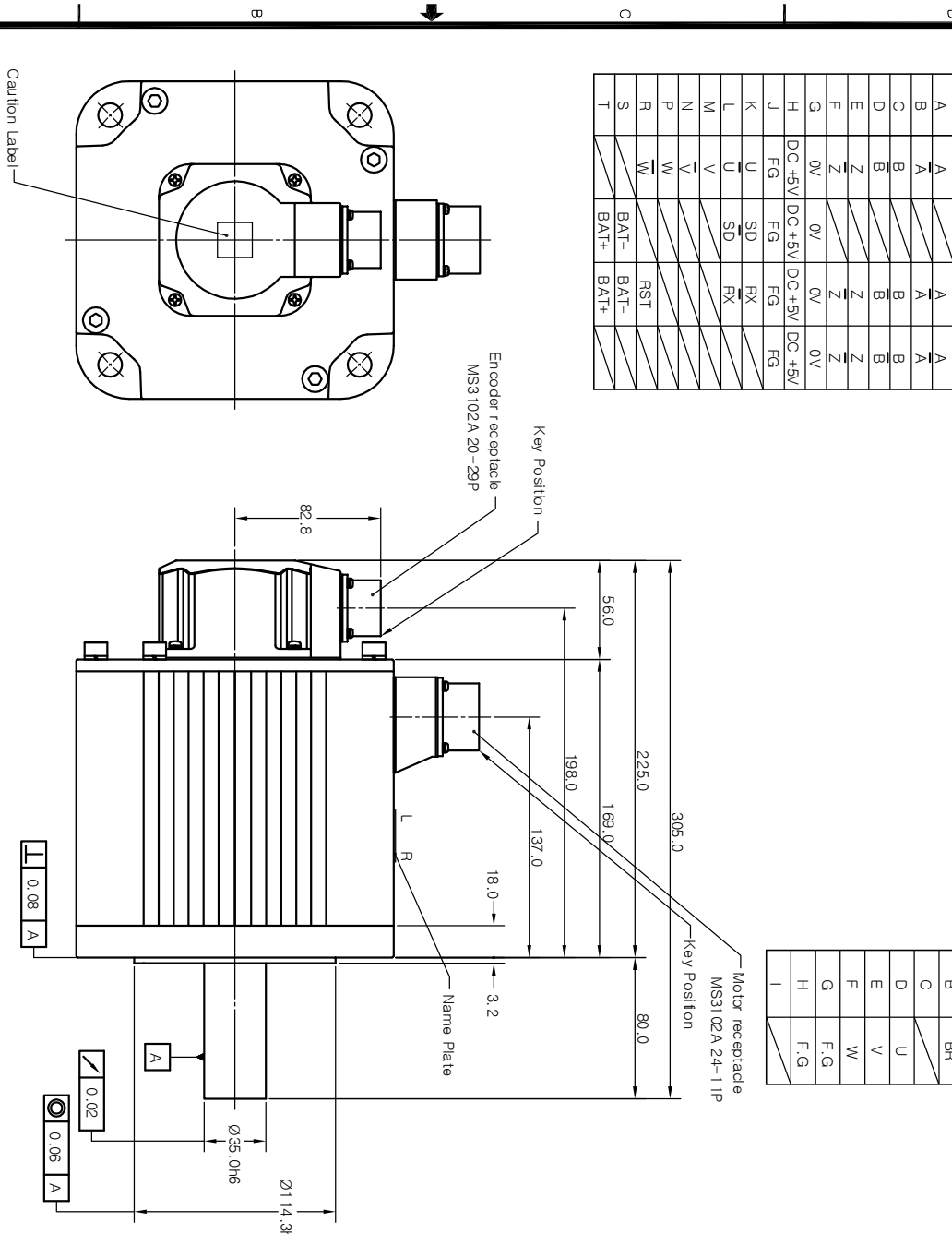
NO. G.W.C

Rdary encoder unit

PIN No	Inc.	Abs. (17 bit)	Abs. (11 bit)	Inc.
	15 Wires 9 Wires 15 Wires 9 Wires			
A	A	/	A	A
B	A	/	A	A
C	B	/	B	B
D	B	/	B	B
E	Z	/	Z	Z
F	Z	/	Z	Z
G	0V	/	0V	0V
H	DC +5V	DC +5V	DC +5V	DC +5V
J	FG	FG	FG	FG
K	U	SD	RX	RX
L	U	SD	RX	RX
M	V	/	/	/
N	V	/	/	/
P	W	/	/	/
R	W	/	/	/
S	W	BAT-	BAT-	RST
T	/	BAT+	BAT+	/

MoBr unit

PIN No.	Signal
A	BR
B	BR
C	/
D	U
E	V
F	W
G	F.G
H	F.G
I	/



SIGN	DESCRIPTION	MODIFIER	APPROVALS	DATE
△	143.0 → (138.0)	권미영		2005.03.15

AMENDMENT

ITEM	PART NAME	QTY	PART No.	DWG No.
PART LISTS				
	2003.08.20			

ALTERNATIVE MATERIAL	TOLERANCE	ANGLE
	LINEAR	

ORIGINAL	MATERIAL	HEAT TREATMENT	FINISH	SCALE	UNIT	MM	WT.
				1/2	mm		

APPROVED	DESIGNED	ISSUING DIVISION	DWG SIZE	DWG No.	SHEET	OF
Checked	Kim Jungsam	Mechanical Design Team	A2	10057033	1	1

KOMOTEK CO., LTD.

OUTLINE DRAWING

10057033