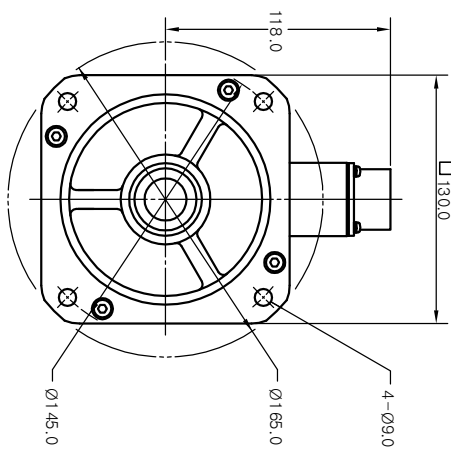
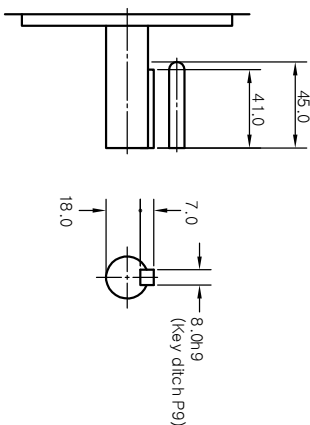
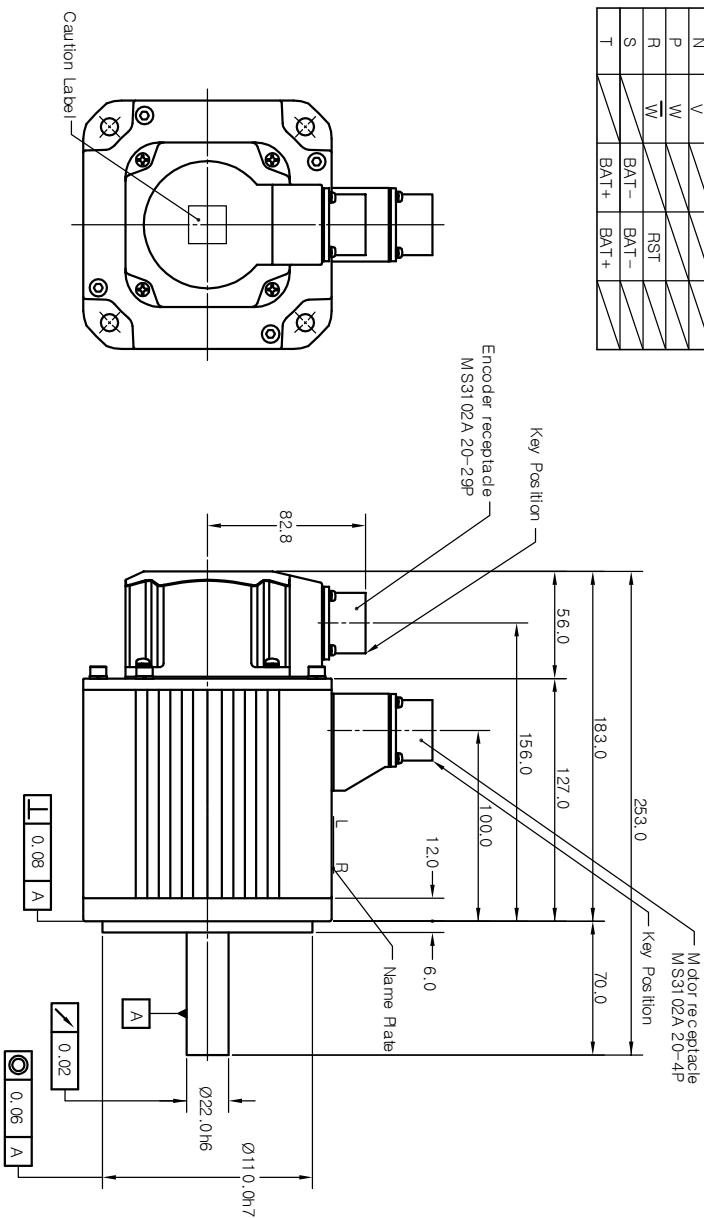


Rotary encoder unit

PIN No	Inc.	Abs. (17 bit)	Abs. (11 bit)	Inc.
A	A	A	A	A
B	A	A	A	A
C	B	B	B	B
D	B	B	B	B
E	Z	Z	Z	Z
F	Z	Z	Z	Z
G	0V	0V	0V	0V
H	DC+5V	DC+5V	DC+5V	DC+5V
J	FG	FG	FG	FG
K	U	SD	RX	FG
L	U	SD	RX	FG
M	V	SD	RX	FG
N	V	SD	RX	FG
P	W	SD	RX	FG
R	W	SD	RX	FG
S	W	SD	RX	FG
T	W	SD	RX	FG

Motor unit

PIN No.	Signal
A	U
B	V
C	W
D	F.G



A

B

C

D

A

B

C

D

ORIGINAL	ALTERNATIVE MATERIAL	ITEM	PART NAME	QTY	PART No.	DWG No.

PART LISTS

2003.08.21

3rd Angle System

APPROVED

Checked

Drawn

DESIGNED

ISSUING DIVISION

Mechanical Design Team

TOLERANCE	LINEAR	ANGLE
MATERIAL		
HEAT TREATMENT		
FINISH		
NEXT ASSY	USED ON	FINISH
P/N	SEC. KANH-10B01ND	

APPROVED	Checked	Drawn	DESIGNED	ISSUING DIVISION	Mechanical Design Team

PART NAME	COMOTEK CO., LTD.
DWG SIZE	A2
DWG No.	10057028
SHEET	1 OF 1

SCALE 1/2 UNIT mm

SCALE 1/2 UNIT mm

1

2

3

4

5

6