

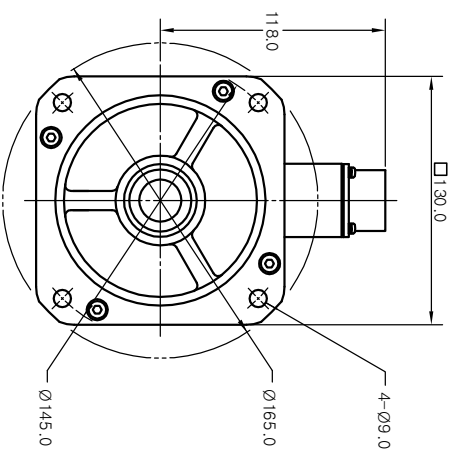
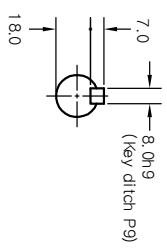
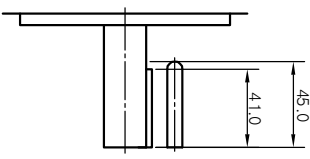
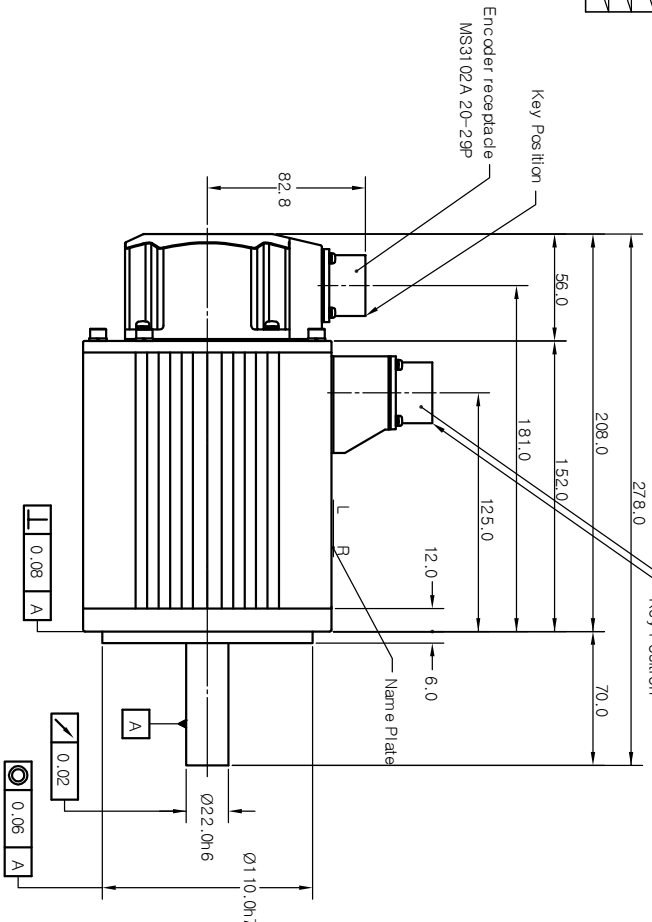
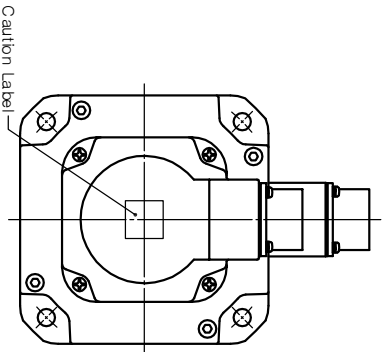
62075001

09/GW/D

Rotary encoder unit

PIN No	Inc.	Abs. (17 bit)	Abs. (11 bit)	Inc.
A	A	A	A	A
B	B	B	B	B
C	C	C	C	C
D	D	D	D	D
E	E	E	E	E
F	F	F	F	F
G	G	G	G	G
H	DC+5V	DC+5V	DC+5V	DC+5V
J	FG	FG	FG	FG
K	U	SD	FX	FX
L	U	SD	FX	FX
M	V			
N	V			
P	W			
R	W			
S	W			
T	W			

PIN No.	Signal
A	A
B	W
C	C
D	F.G
E	F.G
F	U
G	BR
H	BR
I	V



SIGN	DESCRIPTION	MODIFIER	APPROVALS	DATE

AMENDMENT

ITEM	PART NAME	QTY	PART No.	DWG No.

KOMOTEK CO., LTD.

OUTLINE DRAWING

ORIGINAL	TOLERANCE LINEAR	ANGLE	2003. 08. 21	3rd Angle System	Approved	Kim Jungsam	DWG SIZE	DWG No.	SHEET	OF
					Drawn	Kim Jungsam	(KANH-108D 18D)	10057029	1	1
NEXT ASSY	HEAT TREATMENT		USED ON	FINISH	IS SUIJING DIVISION Mechanical Design Team					
			SC KANH-108D 18D							

