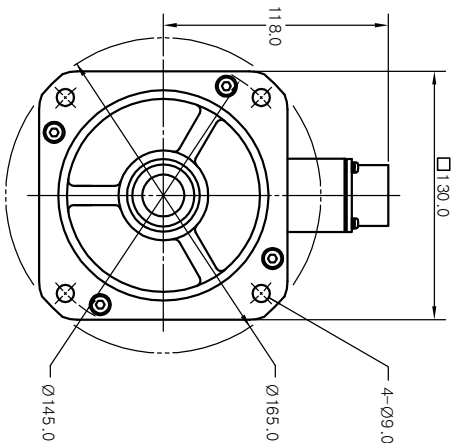
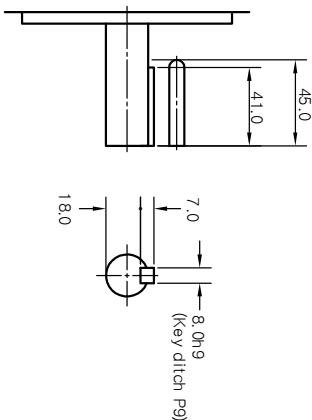
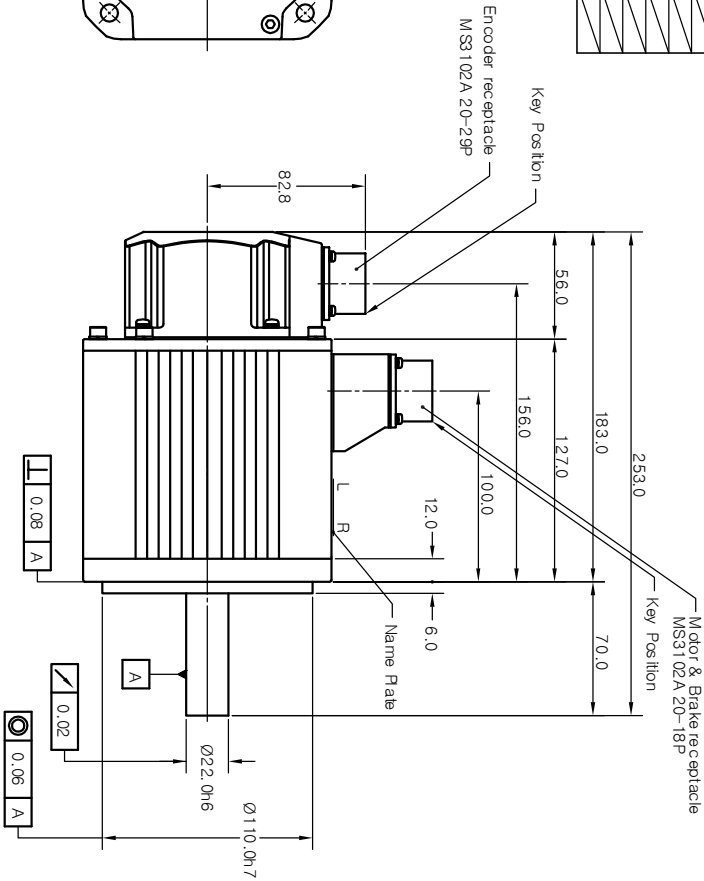
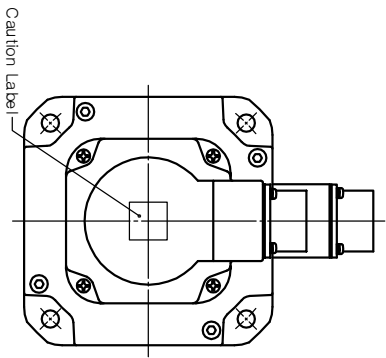


Rotary encoder unit

PIN No	Inc.	Abs. (17 bit)	Abs. (11 bit)	Inc.
15 Wires 9 Wires   15 Wires 9 Wires				
A	A	/	A	A
B	A	/	A	A
C	B	/	B	B
D	B	/	B	B
E	Z	/	Z	Z
F	Z	/	Z	Z
G	0V	/	0V	0V
H	DC +5V	DC +5V	DC +5V	DC +5V
J	FG	FG	FG	FG
K	U	SD	FX	FX
L	U	SD	FX	FX
M	V	/	/	/
N	V	/	/	/
P	W	/	/	/
R	W	/	RST	RST
S	W	BAT -	BAT -	BAT -
T	W	BAT +	BAT +	BAT +

Motor unit

PIN No.	Signal
A	/
B	W
C	/
D	F.G
E	F.G
F	U
G	BR
H	BR
I	V



ITEM	PART NAME	QTY	PART No.	DMG No.
<b>PART LISTS</b>				
KOMOTEK CO., LTD.				
<b>PART NAME</b>				
<b>OUTLINE DRAWING</b>				
(KANH-05BD1BD)				
Dwg size			DWG No.	10057027
A2			SHEET	1 OF 1

APPROVAL	TOLERANCE	ANGLE	SCALE	UNIT	FINISH
ORIGINAL	LINEAR		1:2	mm	
	LINEAR				

APPROVAL	DATE	DESIGNER	CHECKER
Approved	2003. 08. 21	Kim JunGS am	
Checked			
Drawn			
Design			
IS SUIJING DIVISION			
Mechanical Design Team			

APPROVAL	DATE	DESIGNER	CHECKER
Approved			
Checked			
Drawn			
Design			
IS SUIJING DIVISION			
Mechanical Design Team			

APPROVAL	DATE	DESIGNER	CHECKER
Approved			
Checked			
Drawn			
Design			
IS SUIJING DIVISION			
Mechanical Design Team			

APPROVAL	DATE	DESIGNER	CHECKER
Approved			
Checked			
Drawn			
Design			
IS SUIJING DIVISION			
Mechanical Design Team			

APPROVAL	DATE	DESIGNER	CHECKER
Approved			
Checked			
Drawn			
Design			
IS SUIJING DIVISION			
Mechanical Design Team			

APPROVAL	DATE	DESIGNER	CHECKER
Approved			
Checked			
Drawn			
Design			
IS SUIJING DIVISION			
Mechanical Design Team			

APPROVAL	DATE	DESIGNER	CHECKER
Approved			
Checked			
Drawn			
Design			
IS SUIJING DIVISION			
Mechanical Design Team			

APPROVAL	DATE	DESIGNER	CHECKER
Approved			
Checked			
Drawn			
Design			
IS SUIJING DIVISION			
Mechanical Design Team			

APPROVAL	DATE	DESIGNER	CHECKER
Approved			
Checked			
Drawn			
Design			
IS SUIJING DIVISION			
Mechanical Design Team			

AMENDMENT			
SIGN	DESCRIPTION	MODIFIER	DATE