

41175001

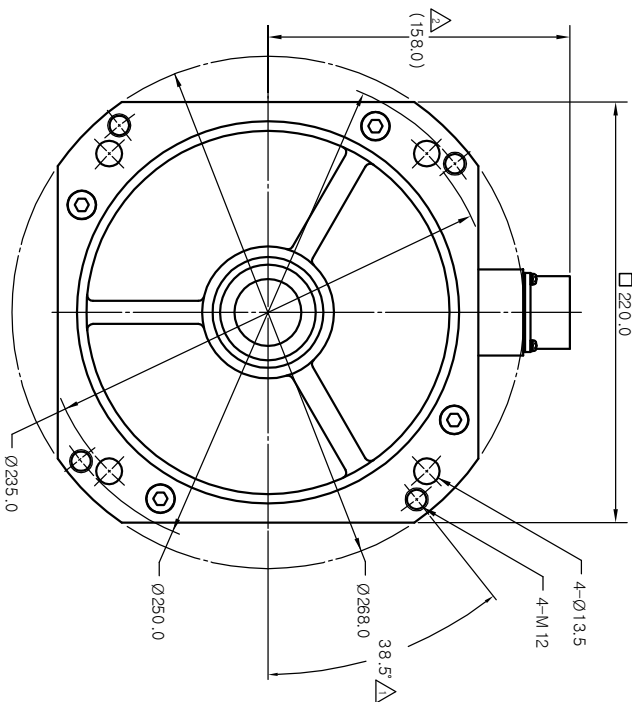
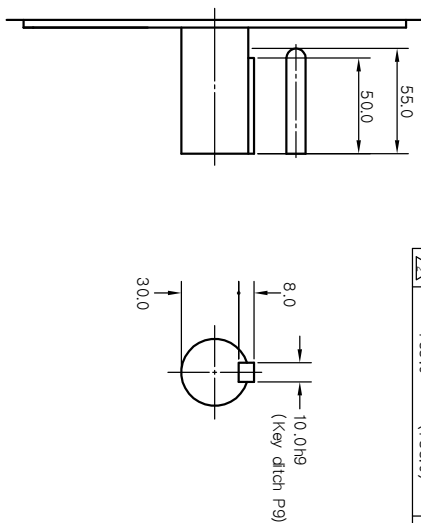
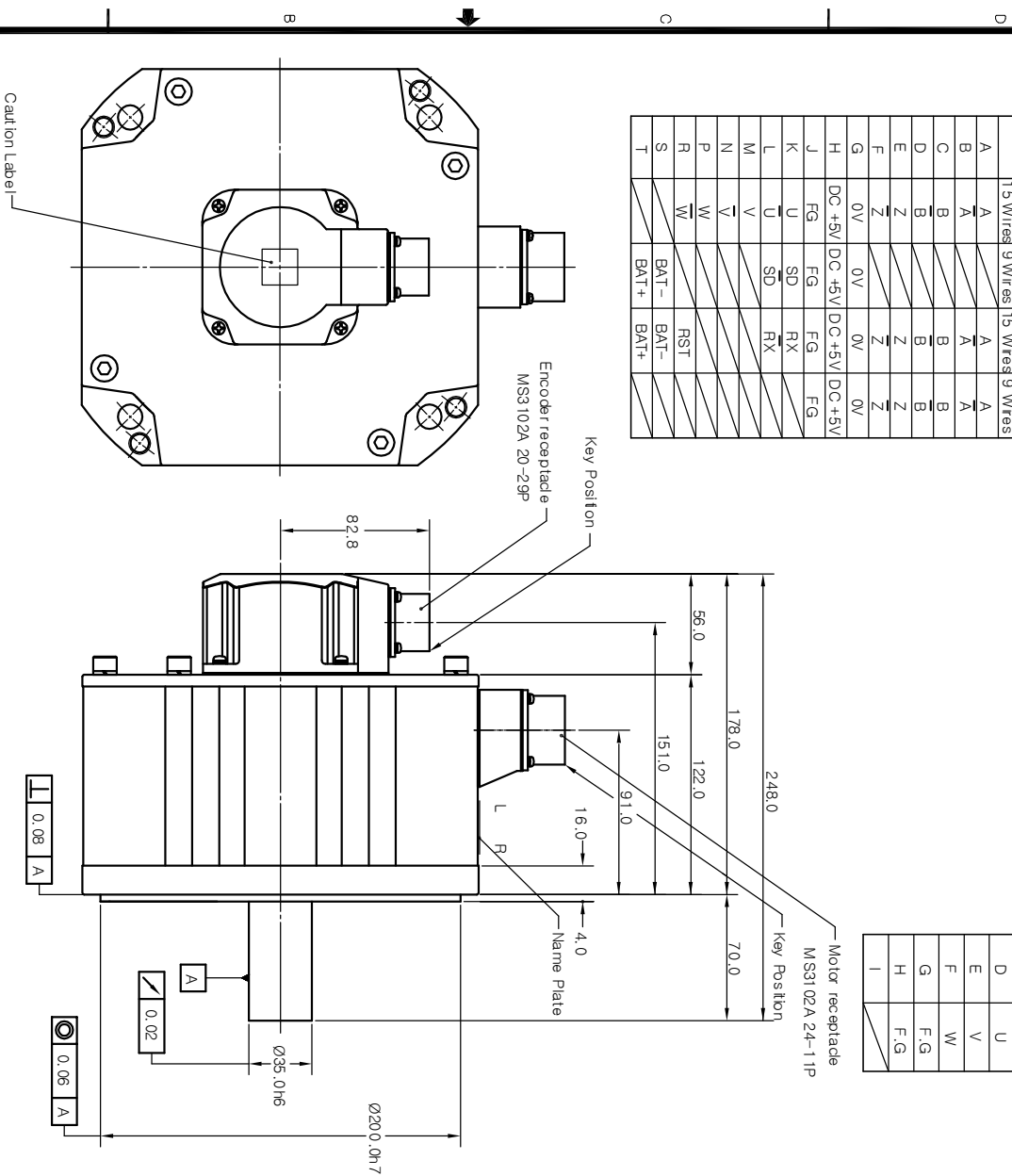
09/GMG

Rotary encoder unit

PIN No	Inc.	Abs.	Abs.	Inc.
	(17 Wires)	(17 bit)	(11 bit)	
A	A	A	A	A
B	A	B	B	A
C	B	B	B	B
D	B	B	B	B
E	Z	Z	Z	Z
F	Z	Z	Z	Z
G	0V	0V	0V	0V
H	DC +5V	DC +5V	DC +5V	DC +5V
J	FG	FG	FG	FG
K	U	SD	RX	FG
L	U	SD	RX	FG
M	V	SD	RX	FG
N	V	SD	RX	FG
P	W	W	RST	FG
R	W	W	RST	FG
S	W	BAT-	BAT-	FG
T	W	BAT+	BAT+	FG

Motor unit

PIN No.	Signal
A	A
B	B
C	C
D	U
E	V
F	W
G	F.G
H	F.G
I	I



SIGN	DESCRIPTION	MODIFIER	APPROVALS	DATE
△	37.5° → 38.5°	권미영		2005.03.14
△	163.0 → (158.0)	권미영		2005.03.14

AMENDMENT

ITEM	PART NAME	QTY	PART No.	DWG No.
PART LISTS				
KOMOTEK CO., LTD.				

ORIGINAL	TOLERANCE LINEAR	ANGLE	2002.12.16	3rd Angle System	Approved	Kim Jungsam	DWG SIZE	DWG No.	10057114
	MATERIAL	HEAT TREATMENT	FINISH	SCALE 1/2 UNIT mm	MECHANICAL DESIGN TEAM	ISSUING DIVISION	(KANF-5580 IND)	SHEET	1 OF 1
	NEXT ASSY	USED ON	FINISH	SCALE 1/2 UNIT mm	MECHANICAL DESIGN TEAM	ISSUING DIVISION	(KANF-5580 IND)	SHEET	1 OF 1

OUTLINE DRAWING

KOMOTEK CO., LTD.

DWG SIZE A2